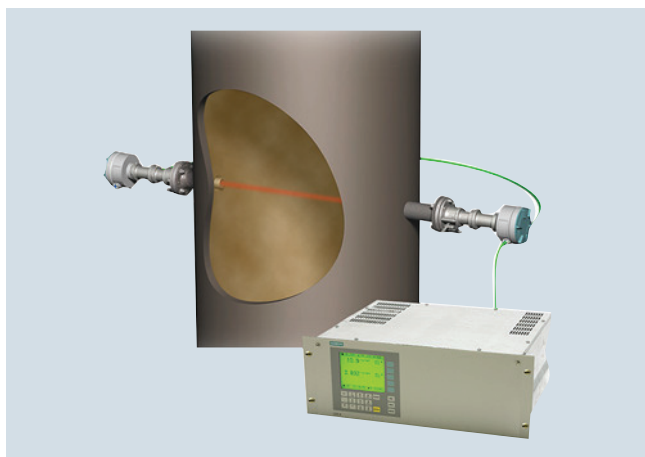


**Overview**

LDS 6 is a diode laser gas analyzer with a measuring principle based on the specific light absorption of different gas components. LDS 6 is suitable for fast and non-contact measurement of gas concentrations in process or flue gases. One or two signals from up to three measuring points are processed simultaneously by the central analyzer unit. The in-situ cross-duct sensors at each measuring point can be separated up to 700 m from the central unit by using fiber-optic cables. The sensors are designed for operation under harsh environmental conditions and contain a minimum of electrical components.



LDS 6, typical installation with cross-duct sensors

**Benefits**

The in-situ gas analyzer LDS 6 is characterized by a high availability and unique analytical selectivity, and is optimally suitable for numerous applications. LDS 6 enables the measurement of one or two gas components or - if desired - the gas temperature directly in the process:

- With high dust load
- In hot, humid, corrosive, explosive, or toxic gases
- In applications showing strong varying gas compositions
- Under harsh environmental conditions at the measuring point
- Highly selective, i.e. mostly without cross-sensitivities

LDS 6 properties:

- Little installation effort
- Minimum maintenance requirements
- Extremely rugged design
- High long-term stability through built-in, maintenance-free reference gas cell, field calibration is unnecessary
- Real-time measurements

Moreover, the instrument provides warning and failure messages upon:

- Need for maintenance
  - Erroneous reference function
  - Bad signal quality
- Violation of a lower or upper alarm level for the measured variable
- Transmitted amount of light violating an upper or lower limit

**Application****Applications**

- Process optimization
- Continuous emission monitoring for all kinds of fuels (oil, gas, coal, and others)
- Process measurements in power utilities and any kind of incinerator
- Process control
- Explosion protection
- Measurements in corrosive and toxic gases
- Quality control
- Environmental protection
- Plant and operator safety

**Sectors**

- Power plants
- Steel works
- Cement industry
- Chemical and petrochemical plants
- Automotive industry
- Waste incinerators
- Glass and ceramics production
- Research and development
- Semiconductor production

**Special applications**

In addition to the standard applications, special applications are available upon request. These contain both an expansion of the temperature and pressure range, as well as an expansion of the concentration measuring range. Furthermore, other gas species can be measured using special applications.

## Continuous Gas Analyzers, in-situ

### LDS 6

#### General information

#### Design

The gas analyzer LDS 6 consists of a central unit and up to three in-situ sensors. The connection between the central unit and the sensors is established by a so-called hybrid cable, which contains optical fibers and copper wires. An additional cable connects the transmitter and receiver parts of the cross-duct sensor.

#### Central unit

The central unit is housed in a 19" rack unit housing with 4 fixing points for mounting:

- In a hinged frame
- In racks with or without telescopic rails

#### Display and control panel

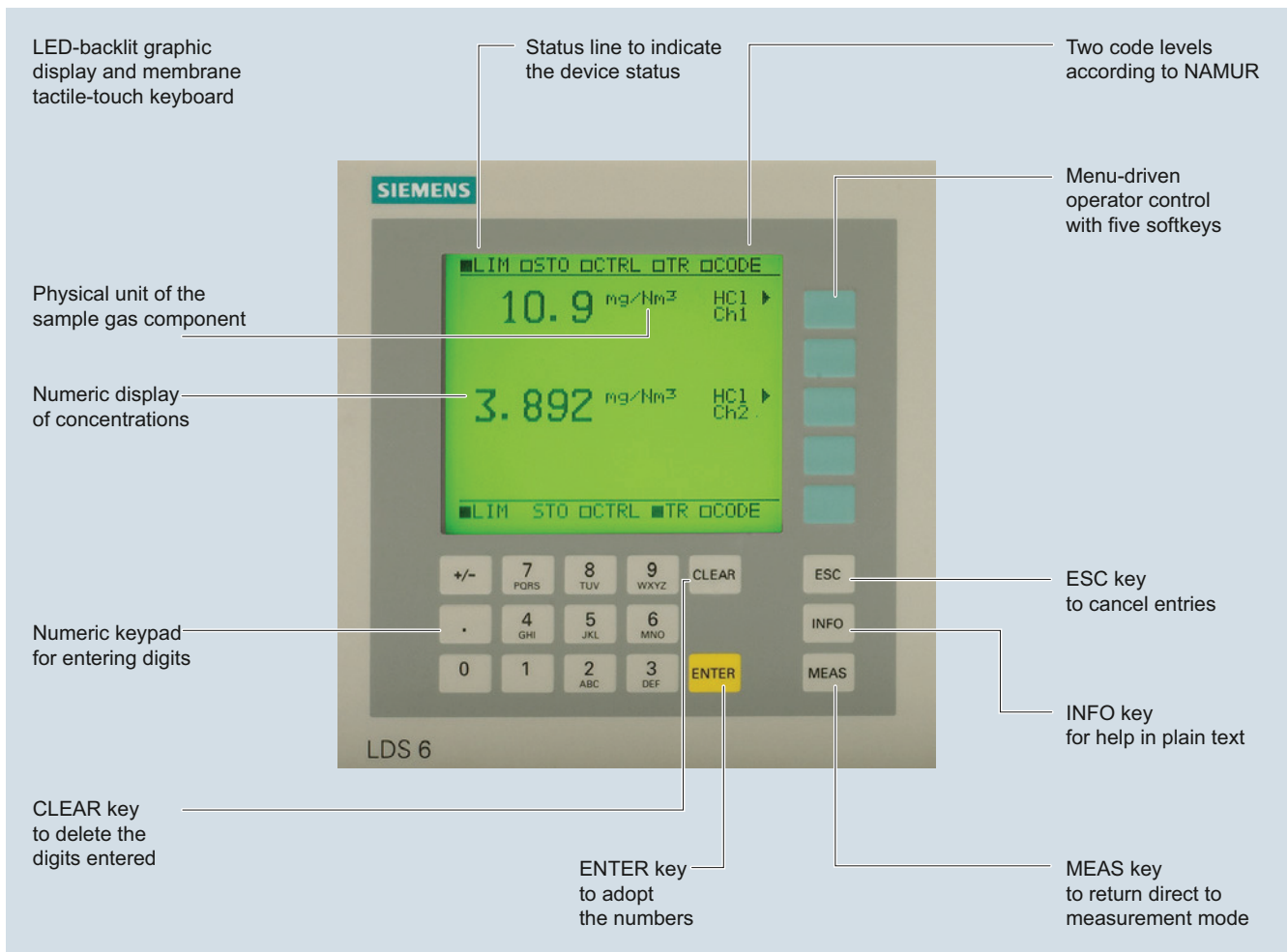
- Large LCD field for simultaneous display of measurement result and device status
- Contrast of the LCD field is adjustable via the menu
- LED background illumination of the display with energy-saving function
- Easy-to-clean membrane touch pad with softkeys
- Menu-driven operation for parameterization and diagnostics
- Operation support in plain text

#### Inputs and outputs

- One to three measurement channels with hybrid connections for the sensors at the measuring points
- 2 analog inputs per channel for process gas temperature and pressure
- 2 analog outputs per channel for gas concentration(s). For selected versions, the transmission can be read out as an alternative.
- 6 freely configurable binary inputs per channel for signaling faults or maintenance requests from external temperature or pressure transducers or sensor purging failure.
- 6 freely configurable binary outputs per channel (signaling of fault, maintenance requirements, function control, transmission limit alarm, concentration limit alarm, store analog output)

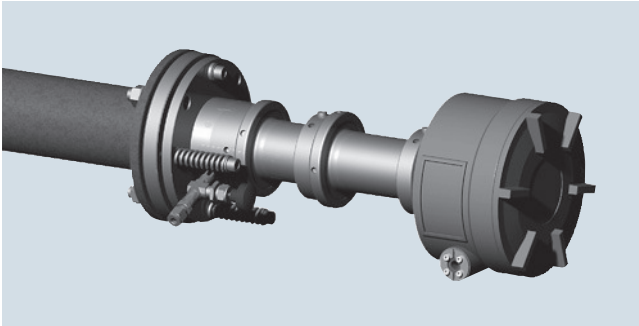
#### Communication

Network connection: Ethernet (T-Base-10) for remote diagnostics and maintenance.



LDS 6 central unit, membrane keyboard and graphic display

### Cross-duct sensors



Sensor CD 6, transmitter or detector unit

- In-situ cross-duct sensors, configured as transmitter and detector unit, connected via sensor cable
- Connection to the LDS 6 central unit via a so-called hybrid cable of max. 700 meters in length (total hybrid and sensor connecting cable length: max. 250 m in Ex Zone 0 and Ex Zone 1)
- Stainless steel, some painted aluminum
- IP65 degree of protection for sensor
- Adjustable flanges with flange connection
- DN 65/PN 6, ANSI 4"/150 lbs
- Optional flameproof window flanges with dimensions: DN 65/PN 6, DN 80/PN 16, ANSI 4"/150 lbs, other process interfaces available on request
- Purging facilities on the process and the sensor sides, configurable application with purging gas connections for:
  - Instrument air
  - Purging air blower
  - Steam
  - Nitrogen
  - Process gases to which the pressure equipment directive cat. 2 does not apply
- In combination with high-pressure window flanges, process purging can be done using instrument air or nitrogen
- Quick release fasteners for cleaning the measurement openings and the sensor window
- Optional: Version with explosion protection in accordance with ATEX / IEC Ex ia
- Sensor type CD 6 is compliant with the pressure equipment directive

### Parts in contact with the process gas

The sensors normally do not come into contact with the process gas, since purging with a gaseous media is applied at the process side. Stainless steel purging gas tubes in front of the sensor windows immerse slightly into the process gas and thus limit the purging volume. Special materials such as Hastelloy and plastics (PP) are available on request.

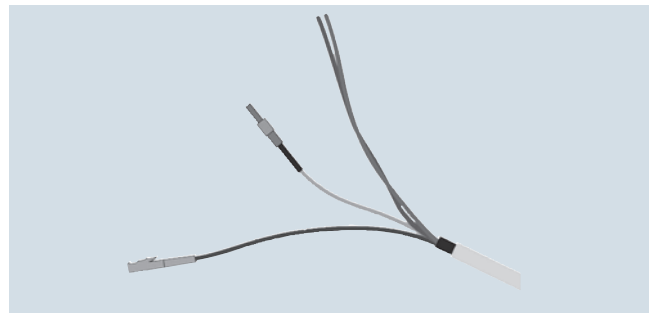
### Hybrid and sensor cables

A combination of fiber-optic cables and twisted copper wires connects the sensors to the central unit. The hybrid cable connects the central unit with the detector unit of the sensor, the sensor cable connects the transmitter and receiver units of the sensor.

For installation in Ex-protected environments, the legislative regulations have to be complied with, such as the spatial separation of intrinsically-safe from non-intrinsically-safe cables.

In compliance with standard EN IEC 60079-14, systems with intrinsically-safe circuits must be installed such that their intrinsic safety is not impaired by electric or magnetic fields. Therefore the hybrid and sensor cables of the LDS 6 in an Ex application must be routed in such a way that they cannot generate electric or magnetic fields, e.g. by coiling them in more than one cable loop. To guarantee a good signal quality and to avoid impermissible inductance loops, the hybrid and sensor cables should be kept as short as possible.

- The distance between central unit and measuring point can be
  - up to 250 m for Ex units when used in Zone 0 and Zone 1 (total hybrid and sensor connecting cable length)
  - up to 700 m for Ex units used in Zone 2 and for non-Ex units
- Hybrid and sensor cables
  - Multimode fiber-optic cable, provided with SMA connections for transmission of the measured signal
  - Two-wire copper cable, in twisted pair version, for +24 V supply of the detector electronics (+12 V in the case of Ex-suitable instruments)
- Additionally for the hybrid cable:
  - Single-mode fiber-optic cable, configured double-sided with E2000 connectors for transmission of laser light
- Rugged cable sheath for laying in open cable ducts or ductworks
- Sheath material: oil-resistant polyurethane



Connections of the hybrid cable

# Continuous Gas Analyzers, in-situ LDS 6

## General information

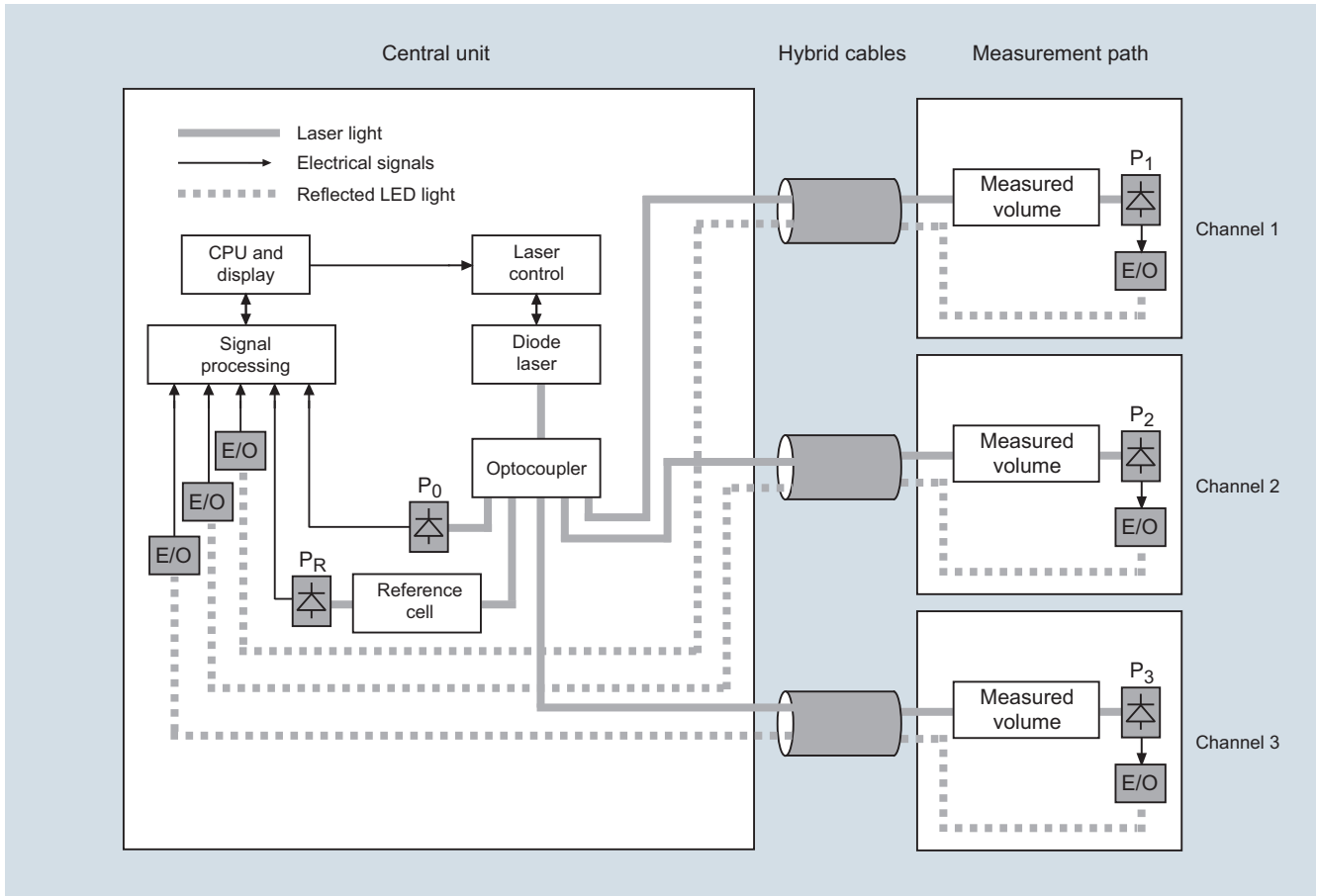
### Function

#### Operating principle

LDS 6 is a gas analyzer employing single-line molecular absorption spectroscopy. A diode laser emits a beam of near-infrared light, which passes through the process gas and is detected by a receiver unit. The wavelength of the laser diode output is tuned to a gas-specific absorption line. The laser continuously scans this single absorption line with a very high spectral resolution.

The result is a fully resolved single molecular line which is analyzed in terms of absorption strength and line shape. The influence of cross-sensitivities on the measurement is negligible, since the quasi-monochromatic laser light is absorbed very selectively by only one specific molecular line in the scanned spectral range.

2



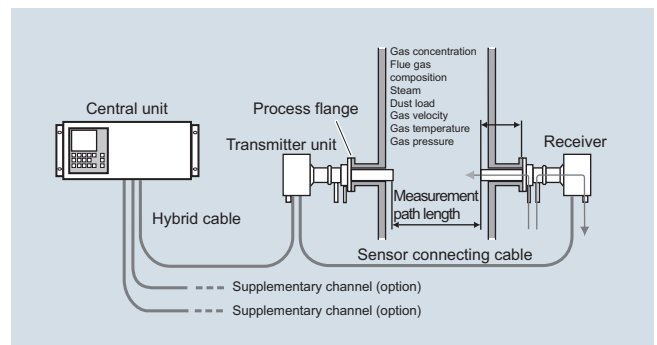
Basic design of the LDS 6

#### Configuration examples

A feature of the in-situ analytical procedure is that the physical measurement takes place directly in the stream of process gas, and usually also directly in the actual process gas line. All process parameters such as gas matrix, pressure, temperature, moisture, dust load, flow velocity and mounting orientation can influence the measuring properties of the LDS 6 and must therefore be systematically investigated for each new application.

A feature of the standard applications defined in the ordering data of the LDS 6 is that the typical process conditions are well-known, documented, and the guaranteed measuring properties can be proven by reference installations. If you cannot find your application among the standard applications, please contact Siemens. We will be pleased to check your possible individual application of the LDS 6. You can find an application questionnaire on the LDS 6 product sites on the Internet:

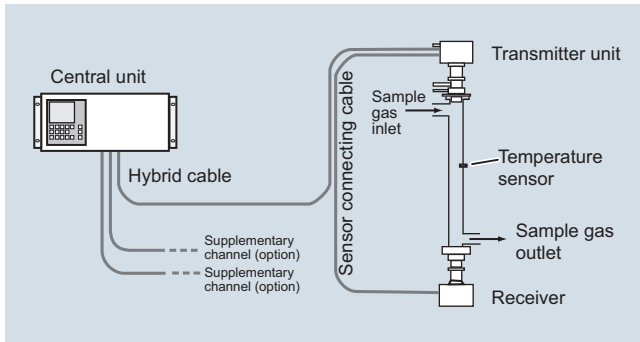
[www.siemens.com/insituquestionnaire](http://www.siemens.com/insituquestionnaire)



Typical transmitted light setup of LDS 6, in-situ

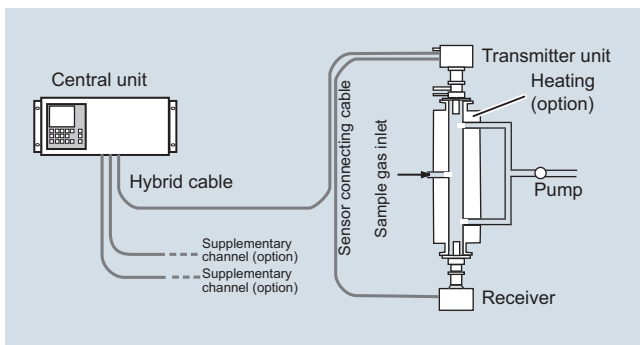
To avoid contamination of sensor optics on the process side, clean gaseous purging media such as instrument air, N<sub>2</sub> or steam are used. Purging air tubes on the sensor heads, which slightly penetrate into the process gas stream, define the effective measuring path length.

The LDS 6 can measure in both the transverse and longitudinal directions of the process gas flow. In certain cases, the process conditions make it necessary to condition the sample gas stream in a bypass line with respect to process temperature, pressure and/or optical path length. Further treatment of the process gas, such as drying or dust precipitation, is usually unnecessary.



Typical transmitted light setup of LDS 6, in bypass

A flow cell is available by special application for the LDS 6 which has been specially optimized for use with the LDS 6 and its transmitted-light sensors with respect to handling and measuring performance. It is designed to reduce surface effects, and is therefore also highly suitable for polar gases like ammonia. This flow cell is available in heated and non-heated versions. Wheel mounted and wall mounted versions are available.



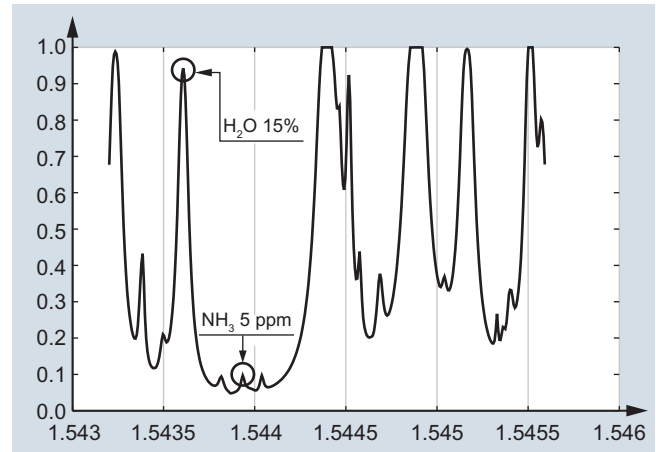
Measuring configuration of LDS 6 with heated flow cell

### General information

LDS 6 is connected to the measuring points by fiber optics. The laser light is guided by a single-mode fiber from the central unit to the transmitter unit of the in-situ sensor. The sensor consists of a transmitter and a receiver; the distance between them defines the measurement path. In the receiver box, the light is focused onto a suitable detector. The detector signal is then converted into an optical signal and transmitted via a second optical fiber to the central unit, where the concentration of the gas component is determined from the detected absorption signal.

LDS 6 usually measures a single gas component by means of the absorption capacity of a single fully resolved molecular absorption line. The absorption results from conversion of the radiation energy of the laser light into the internal energy of the molecule.

In some specific cases, two components can be measured simultaneously if their absorption lines are so close to each other that they can be detected within the laser spectrum by one single scan (for example water ( $\text{H}_2\text{O}$ ) and ammonia ( $\text{NH}_3$ )).



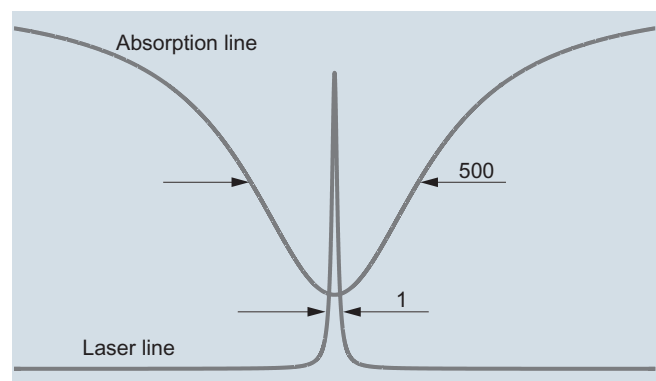
Absorption spectra of water and ammonia

Typical measurable gases for LDS 6 are:

- Oxygen ( $\text{O}_2$ ) for low and high pressure
- Hydrogen fluoride (HF) + water
- Hydrogen chloride (HCl) + water
- Ammonia ( $\text{NH}_3$ ) + water
- Water vapor ( $\text{H}_2\text{O}$ )
- Carbon monoxide (CO)
- Carbon dioxide ( $\text{CO}_2$ )
- CO +  $\text{CO}_2$

By using an internal reference cell normally filled with the gas measured, the stability of the spectrometer is permanently checked in a reference channel.

By doing so, the continuous validity of the calibration is ensured without the need to carry out external recalibration using bottled calibration gases or reference gas cells.



Typical spectral bandwidth of an absorption line compared to the bandwidth of the laser light.

## Continuous Gas Analyzers, in-situ

### LDS 6

#### General information

##### **Influences on the measurement**

###### Dust load

As long as the laser beam is able to generate a suitable detector signal, the dust load of the process gases does not influence the analytical result. By applying a dynamic background correction, measurements can be carried out without any negative impact. Under good conditions, particle densities up to  $100 \text{ g/Nm}^3$  (distance 1 m) can be handled by the LDS 6. Varying dust loads are compensated by scanning the laser over the gas absorption line and the current background.

The effect of a high dust load is complex and depends on the path length and particle size. The optical damping increases at longer path lengths. Smaller particles also have a large influence on the optical damping. With a combination of high dust load, long path length and small particle size, the technical support at Siemens should be consulted.

###### Temperature

The effect of temperature on the absorption strength of the molecule line is compensated by a correction factor. A temperature signal can be fed into an analog instrument from an external temperature sensor. This signal is then used to correct the influence of the temperature on the observed line strength. If the temperature of the sample gas remains constant, it is alternatively possible to carry out a static correction using a preset value.

At high process gas temperatures, generally from approximately  $1\,000 \text{ }^\circ\text{C}$ , there may be noticeable broadband IR radiation of gas and dust, or flames may occasionally occur in the measurement path. An additional optical bandpass filter can be set upstream of the detector to protect it and prevent saturation by the strong background radiation.

###### Pressure

The effect of pressure on the absorption line, and consequently on the measured concentration, is compensated with a correction factor. The gas pressure can affect the line shape of the molecular absorption line. An analog pressure signal can be sent to the device from an external pressure sensor to fully compensate for the effect of the pressure including the density effect.

###### Optical path length

The absorption values analyzed by the LDS 6 are typically small. As a result of Beer-Lambert's law, the absorption of laser light depends on the optical path length within the gas, among other factors. Therefore, the precision in determining the effective optical path length in the process might limit the overall precision of the measurement.

As the sensor optics on the process side normally need to be purged to keep them clean over a long period of time, the thickness of the mixing zone between the purging medium and the process gas and its concentration distribution need to be considered. In a typical in-situ installation directly in the line and with some meters of path, the influence of the purging gas on the effective path length can be neglected.

Path length and dust load are mutually influencing: the higher the dust load in the process, the shorter the max. possible path length. For short path lengths in the range  $\leq 0.3 \text{ m}$ , contact Siemens Technical Support.

##### **Maintenance and fault messages**

LDS 6 outputs different warnings via relays:

- Need for maintenance (measured value is not influenced)
- Operating error (measured value might be influenced)

###### Note

Individual requirements for the measuring point can make the utilization of special sensor equipment necessary. The possibilities for adapting the sensors are:

- Different purging media, such as instrument air, ambient air, nitrogen or steam
- Different purging modes on process and sensor sides
- Special materials of purging tubes and/or sensor flanges
- Cooling or heating of the sensors
- Explosion-protected sensor configurations

##### **Essential characteristics**

- Integrated calibration adjustment with an internal reference cell
- Negligible long-term drifts of zero and span
- Dynamic background correction for varying dust loads
- Isolated signal outputs, 4 to 20 mA
- User-friendly, menu-driven operation
- Selectable time constants (response time)
- Two user levels with individual access codes for prevention of unwanted and unauthorized operations
- Operation according to NAMUR recommendations
- Monitoring of overall optical transmission
- Remote preventive maintenance and servicing via Ethernet/modem
- Straightforward replacement of the central unit, since connections can easily be removed
- Sensor and central unit housing free of wear and corrosion
- Easy operation with a numerical keypad and menu prompting

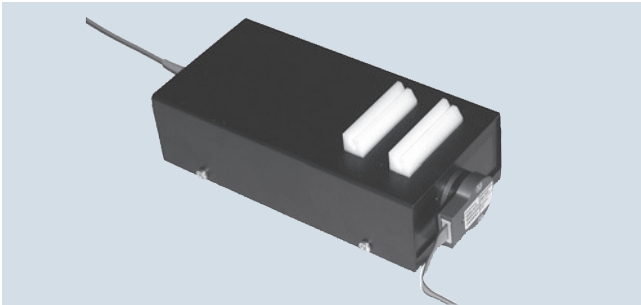
##### **Certified versions for emission monitoring**

The LDS 6 is available as certified instrument for emission monitoring of  $\text{NH}_3$ ,  $\text{NH}_3/\text{H}_2\text{O}$ ,  $\text{H}_2\text{O}$ ,  $\text{HCl}$ ,  $\text{HCl}/\text{H}_2\text{O}$ . The certificates are issued by TÜV for Germany and MCERTS for the United Kingdom. Test kits for ammonia, water and HCl should be used to conduct regular calibration and linearity checks on site. These kits can be ordered separately as instrument accessories. For new analyzer orders, the  $\text{NH}_3$ ,  $\text{NH}_3/\text{H}_2\text{O}$  and  $\text{H}_2\text{O}$  kits named "Version 2" must be ordered. For already installed analyzers, please contact Siemens Technical Support for spotting the correct kit version, or consult the instrument manual.

**Verification of calibration**

Assembly with certified, maintenance-free calibration gas cell with connections for laser fiber-optic conductors and detector module of cross-duct sensor. These are used to rapidly verify the factory calibration in the field without compressed gas bottles and flow cell.

Calibration verification kits are available for the following sample gases: O<sub>2</sub> (application codes AA, AC), NH<sub>3</sub>, CO, CO<sub>2</sub>, CO/CO<sub>2</sub>. A "Zero gas test kit" is also available for individual applications. (see "Additional units")



Example of an assembly for verification of calibration

# Continuous Gas Analyzers, in-situ

LDS 6

## 19" central unit

### Technical specifications

#### Analytical performance

Measuring range	Depending on sample gas component: see table for standard applications.
Detection limit (DL): Calculated in accordance with VDI 2449, measured on every supplied analyzer during the temperature test (between 5 ... 45 °C) in accordance with VDI 4203.	Depending on sample gas component: see table for standard applications. For application code ET and FT: in accordance with the requirements of 17th and 27th BImSchV
Smallest recommended measuring range (with 1 m path length)	Depending on sample gas component: see table for standard applications.

The maximum applicable measuring ranges can be found in the table of standard combinations. These can only be applied if the individual process conditions allow it. Please contact the Technical Support from Siemens for checking the applicability.

Accuracy <sup>1)</sup>	2 % / 5 %, depending on sample gas component and application code. At best: detection limit. See table for standard applications. For application code ET and FT: in accordance with the requirements of 17th and 27th BImSchV
Linearity	Better than 1 %
Repeatability	2 % of the measured value or same amount as the minimum detection limit (whichever is largest) For application code ET and FT: in accordance with the requirements of 17th and 27th BImSchV
Calibration interval	No recalibration required thanks to internal reference cell

#### General information

Concentration units	ppmv, Vol%, mg/Nm <sup>3</sup>
Display	Digital concentration display (5 digits with floating decimal point)
Laser protection class	Class 1, safe to the eye
Certificates	CE marking, TÜV, MCERTS

#### Design, enclosure

Degree of protection	IP20 according to EN 60529
Dimensions	177 x 440 x 380 mm
Weight	Approx. 13 kg
Mounting	Horizontal

#### Electrical characteristics

Power supply	100 ... 240 V AC 50 ... 60 Hz, automatically adapted by the system; with a 3-channel central unit, an additional external power supply +24 V DC, 50 VA is included in the scope of delivery
Power consumption	50 W
EMC	According to EN 61326 and standard classification of NAMUR NE21
Electrical safety	According to EN 61010-1, overvoltage classification II
Fuse specifications	100 ... 240 V: T2.5L250V

#### Dynamic response

Warm-up time at 20 °C ambient temperature	Approx. 15 min
Response time	Min. of 1 s, depending on application
Integration time	1 ... 100 s, adjustable

#### Influencing variables

Ambient temperature	< 0.5 %/10 K of the measured value
Atmospheric pressure	Negligible
Process gas pressure compensation	Recommended
Process gas temperature compensation	Recommended
Process gas pressure range	See table for standard applications
Power supply changes	< 1 %/30 V

#### Electrical inputs and outputs

Number of measurement channels	1 ... 3, optional
Analog output	2 per channel, 4 ... 20 mA, floating, ohmic resistance max. 750 Ω
Analog inputs	2 per channel, designed for 4 ... 20 mA, 50 Ω
Binary outputs	6 per channel, with changeover contacts, configurable, 24 V AC/DC/1 A, floating
Binary inputs	6 per channel, designed for 24 V, floating, configurable
Communication interface	Ethernet 10BaseT (RJ-45)

#### Climatic conditions

Temperature range	5 ... 45 °C during operation, -40 ... +70 °C during storage and transportation
Atmospheric pressure	800 ... 1 200 hPa
Humidity	< 85 % relative humidity, above dew point (in operation and storage)

<sup>1)</sup> The accuracy corresponds to intrinsic uncertainty according to IEC 61207 for 7MB6121-xKD00-0xxx



## Selection and ordering data

**LDS 6 in-situ gas analyzer**

19" rack unit for installation in cabinets

➤ Click on the Article No. for the online configuration in the PIA Life Cycle Portal.

**Explosion protection<sup>1)</sup>**

Without, not suitable for connection to Ex sensors

Without, suitable for connection to Ex sensors in accordance

with II 1 G Ex ia op is IIC T4 Ga, II 1 D Ex ia op is IIIC T135 °C Da

**Measured component****Possible with application code of the respective channel**

O <sub>2</sub>	B, C, P
NH <sub>3</sub>	A, E, F, L, T
NH <sub>3</sub> /H <sub>2</sub> O	A, E, F, L, T
HCl	A, H, T
HCl/H <sub>2</sub> O	A, H, T
HF	A, H
HF/H <sub>2</sub> O	A, H
CO	C
CO/CO <sub>2</sub>	D
CO <sub>2</sub>	A
H <sub>2</sub> O	A, T

**Application code of measured component channel 1****Application examples channel 1<sup>1)</sup>**

A	Emission monitoring, non-certified	A
B	Emission monitoring, combustion optimization	B
C	Safety monitoring with appropriate plant concept	C
D	Process control	D
E	SNCR-DeNOx	E
F	SCR-DeNOx	F
H	Filter optimization	H
L	Automotive, for use according EU regulation No. 595/2009/EC from June 18, 2009 (EURO VI)	L
P	Process control (high pressure)	P
T	Emission measurement, device design in accordance with QAL1 certification acc. to EN 14181 and EN 15267. Notice: Only in combination with measuring component version C, D, M, E and F (NH <sub>3</sub> , NH <sub>3</sub> /H <sub>2</sub> O, H <sub>2</sub> O, HCl, HCl/H <sub>2</sub> O).	T

**CD 6 sensor alignment kit**

With

Without

**Application code of measured component channel 2****Application examples channel 2<sup>1)</sup>**

X	Channel 2 not used	X
A	Emission monitoring	A
B	Combustion optimization	B
C	Safety monitoring with appropriate plant concept	C
D	Process control	D
E	SNCR-DeNOx	E
F	SCR-DeNOx	F
H	Filter optimization	H
L	Automotive, for use according EU regulation No. 595/2009/EC from June 18, 2009 (EURO VI)	L
P	Process control (high pressure)	P
T	Emission measurement, device design in accordance with QAL1 certification acc. to EN 14181 and EN 15267. Notice: Only in combination with measuring component version C, D, M, E and F (NH <sub>3</sub> , NH <sub>3</sub> /H <sub>2</sub> O, H <sub>2</sub> O, HCl, HCl/H <sub>2</sub> O).	T

**Article No.**

➤ 7MB6121-0-0

Cannot be combined

0

1

A

C

D

E

F

G

H

J

K

L

M

A

B

C

D

E

F

H

L

P

T

T

1

1

1

T

0

1

X

A

B

C

D

E

F

H

L

P

T

T

2

<sup>1)</sup> Complete and consistent implementation of the safety concept by the plant operator must be ensured during the commissioning and operation of the in-situ laser spectrometer LDS6 or the sensor CD 6 in hazardous atmospheres.

<sup>2)</sup> The examples shown represent possible applications where appropriately configured LDS 6 solutions can be used. The user is responsible for the prevailing conditions (plant concept (possibly redundant), application of appropriate components required in addition, compliance with possible directives, etc.). It is only possible to configure the same applications for multiple channels. If required, please contact Siemens for a special application (refer to page 2/19)

## Continuous Gas Analyzers, in-situ

LDS 6

### 19" central unit

#### Selection and ordering data

##### LDS 6 in-situ gas analyzer

19" rack unit for installation in cabinets

#### Article No.

7MB6121-

0000

Cannot be combined

Application code of measured component channel 3	Application examples channel 3 <sup>1)</sup>
X	Channel 3 not used
A	Emission monitoring
B	Combustion optimization
C	Safety monitoring with appropriate plant concept
D	Process control
E	SNCR-DeNOx
F	SCR-DeNOx
H	Filter optimization
L	Automotive, for use according EU regulation No. 595/2009/EC from June 18, 2009 (EURO VI)
P	Process control (high pressure)
T	Emission measurement, device design in accordance with QAL1 certification acc. to EN 14181 and EN 15267. Notice: Only in combination with measuring component version C, D, M, E and F (NH <sub>3</sub> , NH <sub>3</sub> /H <sub>2</sub> O, H <sub>2</sub> O, HCl, HCl/H <sub>2</sub> O).

#### Language (supplied documentation, software)

German  
English  
French  
Spanish  
Italian

X  
A  
B  
C  
D  
E  
F  
H  
L  
P  
T  
  
0  
1  
2  
3  
4

T

#### Selection and ordering data

##### Additional versions

Add "-Z" to Article No. and specify Order code

Telescopic rails (2 units)

Set of Torx tools

TAG labels (customized inscription)

#### Order code

A31

A32

Y30

##### Additional units

Optical band-pass filter for suppressing IR background radiation (flame filter)

External power supply for hybrid cable length &gt; 500 m

Calibration verification kit for NH<sub>3</sub> (version 2)TÜV/MCERTS linearity verification kit NH<sub>3</sub> (version 2), 2 cellsTÜV/MCERTS linearity verification kit NH<sub>3</sub>/H<sub>2</sub>O (version 2), 3 cellsTÜV/MCERTS linearity verification kit H<sub>2</sub>O (version 2), 2 cellsCalibration verification kit for NH<sub>3</sub> (version 1)TÜV/MCERTS linearity verification kit NH<sub>3</sub> (version 1), 2 cellsTÜV/MCERTS linearity verification kit NH<sub>3</sub>/H<sub>2</sub>O (version 1), 3 cellsTÜV/MCERTS linearity verification kit H<sub>2</sub>O (version 1), 2 cells

TÜV/MCERTS linearity verification kit HCl, 2 cells

TÜV/MCERTS linearity verification kit HCl/H<sub>2</sub>O, 3 cellsTÜV/MCERTS linearity verification kit H<sub>2</sub>O (only for HCl/H<sub>2</sub>O analyzers), 5 cellsTÜV/MCERTS linearity verification kit H<sub>2</sub>O (only for NH<sub>3</sub>/H<sub>2</sub>O analyzers), version 1, 5 cellsTÜV/MCERTS linearity verification kit H<sub>2</sub>O (only for NH<sub>3</sub>/H<sub>2</sub>O analyzers), version 2, 5 cells

TÜV/MCERTS linearity verification kit HCl, 5 cells

TÜV/MCERTS linearity verification kit NH<sub>3</sub>, version 1, 5 cellsTÜV/MCERTS linearity verification kit NH<sub>3</sub>, version 2, 5 cellsLinearity verification kit NH<sub>3</sub> (version 2), 10 cells<sup>2)</sup>Calibration verification kit for O<sub>2</sub> (only for application codes AA, AC and AD)

Calibration verification kit for CO

Calibration verification kit for CO<sub>2</sub>Calibration verification kit for CO/CO<sub>2</sub>

#### Article No.

A5E00534668

A5E00854188

A5E01075594

A5E00823339013

A5E00823339014

A5E00823339015

A5E00534675

A5E00823339003

A5E00823339004

A5E00823339005

A5E00823339008

A5E00823339009

A5E00823339007

A5E00823339002

A5E00823339012

A5E00823339006

A5E00823339001

A5E00823339011

A5E03693426

A5E01143755001

A5E01143755003

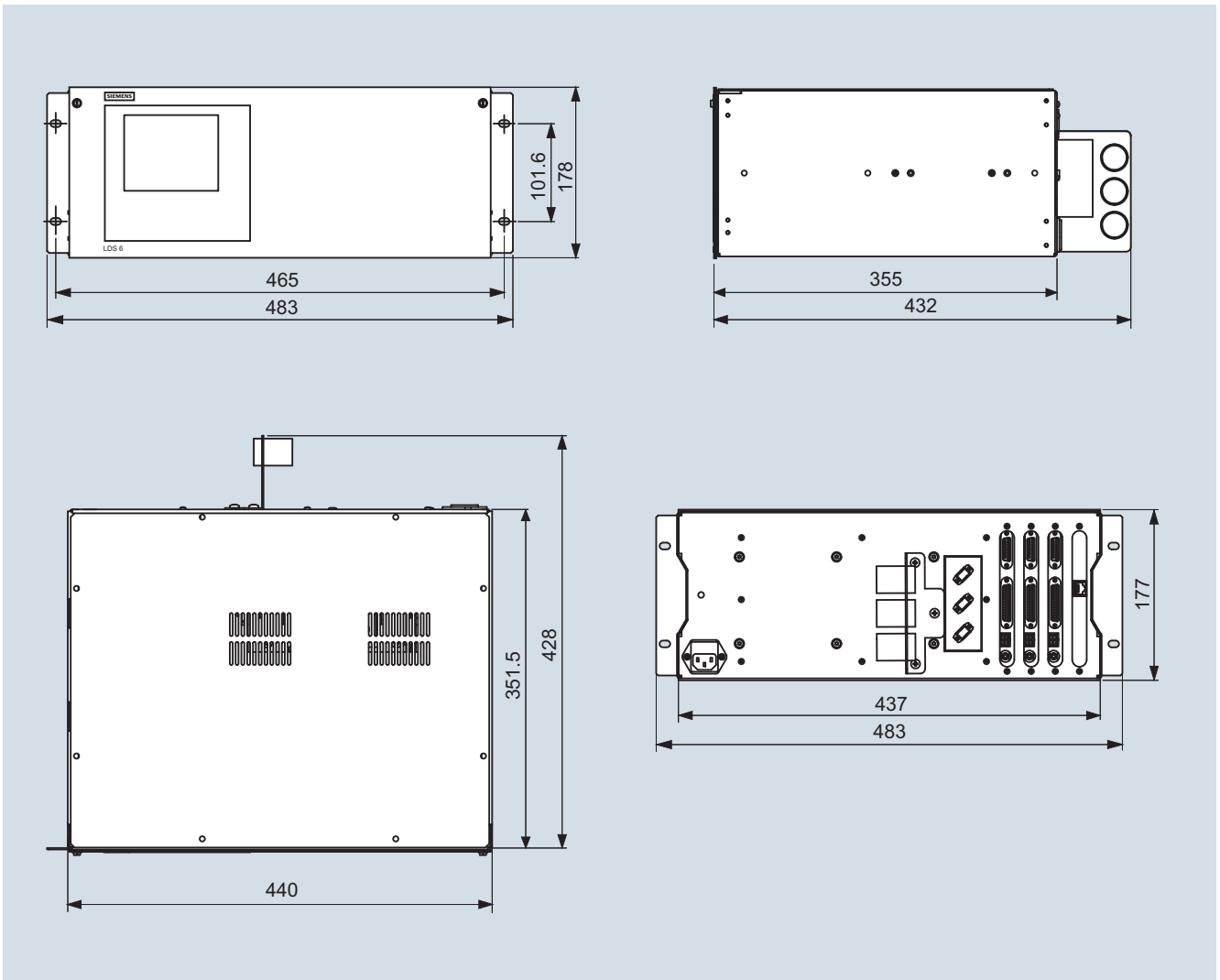
A5E01143755004

A5E01143755006

<sup>1)</sup> The examples shown represent possible applications where appropriately configured LDS 6 solutions can be used. The user is responsible for the prevailing conditions (plant concept (possibly redundant), application of appropriate components required in addition, compliance with possible directives, etc.). It is only possible to configure the same applications for multiple channels. If required, please contact Siemens for a special application (refer to page 2/19).

<sup>2)</sup> In combination with the LDS 6 applications CL/DL suitable to measure NH<sub>3</sub> according to the requirements of "Regulation No. 595/2009/EC on type-approval of motor vehicles and engines with respect to emissions from heavy duty vehicles (EURO VI) from June 18, 2009 and its implementation standard the regulation 582/2011/EC from May 25, 2011" of the Commission of the European Community.

Dimensional drawings



LDS 6, 19" central unit, dimensions in mm

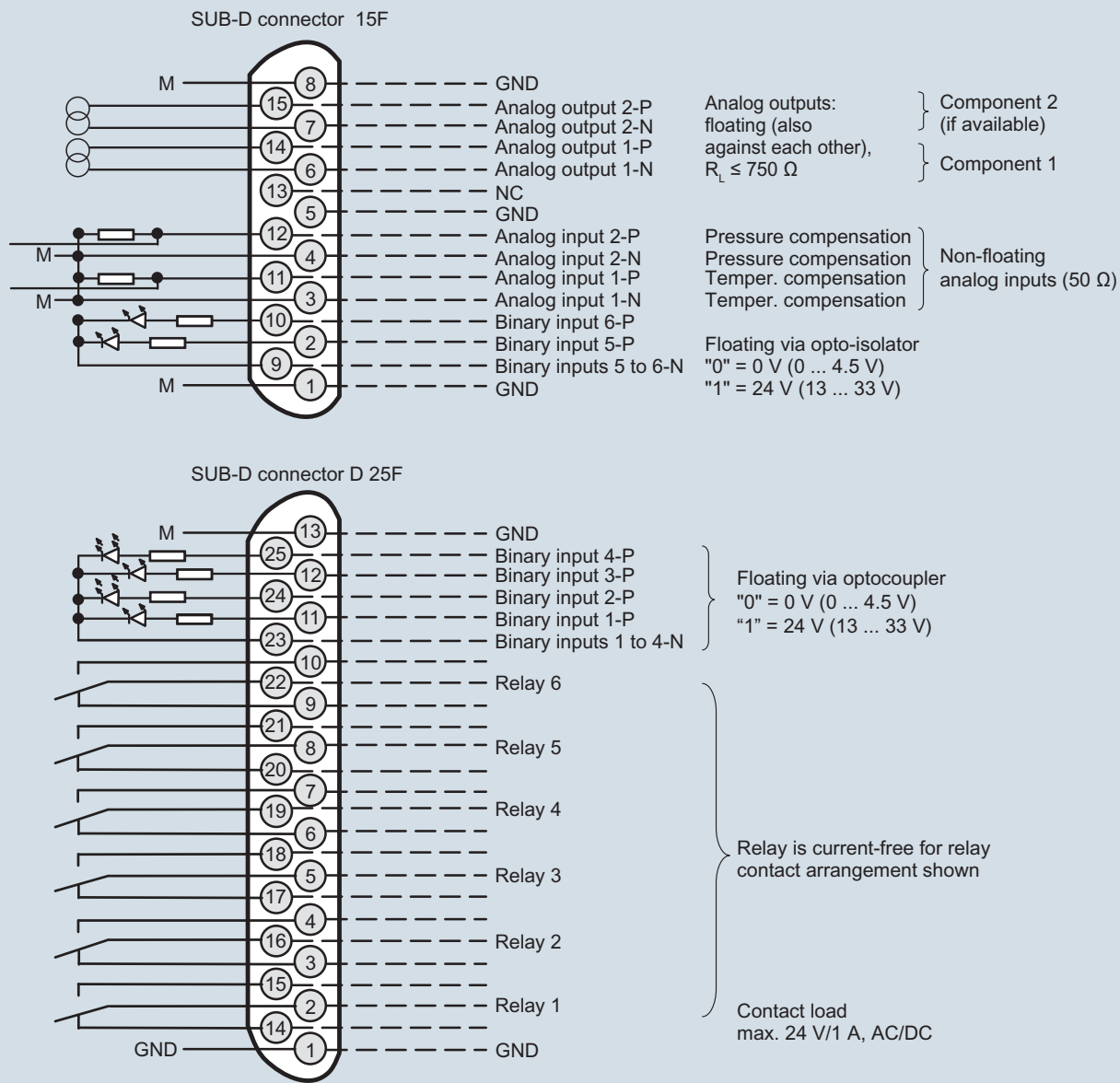
# Continuous Gas Analyzers, in-situ

LDS 6

## 19" central unit

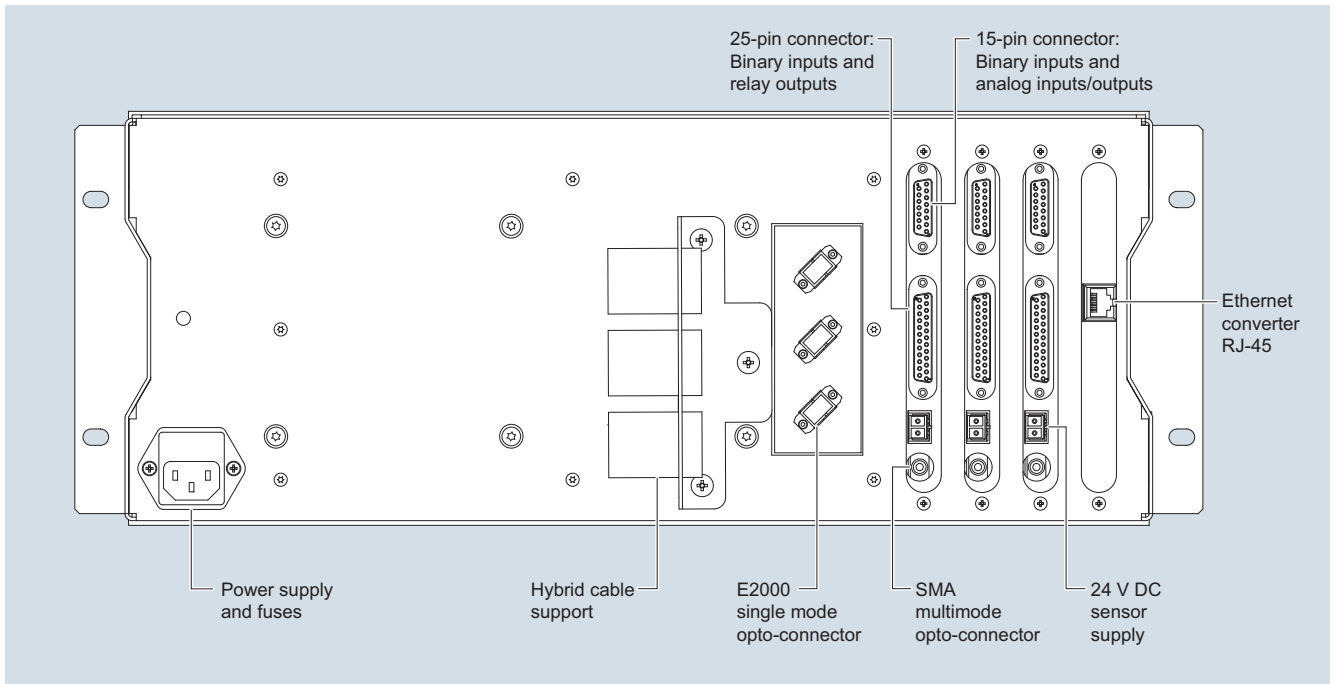
### Schematics

#### Pin assignments



LDS 6, 19" central unit, pin assignments

#### Optical and electrical connections



LDS 6, three-channel 19" central unit, optical and electrical connections

## Continuous Gas Analyzers, in-situ

LDS 6

### 19" central unit

#### More information

The following table lists the measuring conditions for standard applications. The listed values for the measuring range and detection limit (DL) are only approximate values. The exact values at the respective measuring point depend on the totality of all influencing variables and can be determined by Siemens for the specific case.

Please note that the values for the detection limit and the maximum measuring range refer to a path length of 1 m. Longer path lengths will improve the detection limit, but not linearly. Due to limiting effects such as dust load. The maximum applicable measuring ranges can only be used if permitted by the process conditions such as dust load.

Standard application Effective optical path length: 0.3 ... 12 m Dust load <sup>2)</sup> : < 50 g/Nm <sup>3</sup>				Process gas temperature $T_{\min}$ ... $T_{\max}$	Process gas pressure $P_{\min}$ ... $P_{\max}$	Min. measuring range (with 1 m eff. opt. path length)	Max. measuring range (also dependent on eff. opt. path length: see following column)	(Max. measuring range x path length)	(DL x path length) under standard conditions <sup>1)</sup> without cross-interference of other gases	(DL x path length) at 1 013 hPa with cross-interference of gas 2	Accuracy <sup>3)</sup>
Gas 1	Gas 2	Gas code	Appl. code			Gas 1	Gas 1	Gas 1	Gas 1	Gas 1	Gas 1
O <sub>2</sub>		A	B <sup>6)</sup>	600 ... 1 200 °C	950 ... 1 050 hPa	0 ... 15 vol%	0 ... 100 vol%	240 vol%*m	0.3 vol%*m at 600 °C		5 %
			C	0 ... 600 °C	950 ... 1 050 hPa	0 ... 5 vol%	0 ... 100 vol%	75 vol%*m	0.1 vol%*m		2 % <sup>4)</sup>
			P	0 ... 200 °C	950 ... 5 000 hPa	0 ... 5 vol%	0 ... 100 vol%	75 vol%*m	0.1 vol%*m		2 %
NH <sub>3</sub>		C	A	0 ... 150 °C	950 ... 1 050 hPa	0 ... 25 ppmv	0 ... 500 ppmv	2 500 ppmv*m	0.5 ppmv*m	0.9 ppmv*m at 15 vol% H <sub>2</sub> O, 55 °C	2 %
			T	0 ... 150 °C	950 ... 1 050 hPa	0 ... 25 ppmv	0 ... 500 ppmv	2 500 ppmv*m	0.5 ppmv*m	0.9 ppmv*m at 15 vol% H <sub>2</sub> O, 55 °C	2 %
			E	250 ... 350 °C	950 ... 1 050 hPa	0 ... 45 ppmv	0 ... 500 ppmv	2 500 ppmv*m	0.9 ppmv*m at 250 °C	1.4 ppmv*m at 15 Vol% H <sub>2</sub> O, 250 °C	2 %
			F	300 ... 400 °C	950 ... 1 050 hPa	0 ... 50 ppmv	0 ... 500 ppmv	2 500 ppmv*m	1 ppmv*m at 300 °C	1.5 ppmv*m at 15 Vol% H <sub>2</sub> O, 300 °C	2 %
			L <sup>7)</sup>	0 ... 400 °C <sup>8)</sup>	920 ... 1 120 hPa	0 ... 15 ppmv	0 ... 500 ppmv	2 500 ppmv*m	0.5 ppmv*m	1.4 ppmv*m at 15 Vol% H <sub>2</sub> O, 250 °C	2 %
NH <sub>3</sub>	H <sub>2</sub> O	D	A	0 ... 150 °C	950 ... 1 050 hPa	0 ... 25 ppmv	0 ... 100 ppmv	1 200 ppmv*m	0.5 ppmv*m	0.9 ppmv*m at 15 vol% H <sub>2</sub> O, 55 °C	2 %
			T	0 ... 150 °C	950 ... 1 050 hPa	0 ... 25 ppmv	0 ... 100 ppmv	1 200 ppmv*m	0.5 ppmv*m	0.9 ppmv*m at 15 vol% H <sub>2</sub> O, 55 °C	2 %
			E	250 ... 350 °C	950 ... 1 050 hPa	0 ... 45 ppmv	0 ... 100 ppmv	1 200 ppmv*m	0.9 ppmv*m at 250 °C	1.4 ppmv*m at 15 vol% H <sub>2</sub> O, 250 °C	2 %
			F	300 ... 400 °C	950 ... 1 050 hPa	0 ... 50 ppmv	0 ... 100 ppmv	1 200 ppmv*m	1 ppmv*m at 300 °C	1.5 ppmv*m at 15 vol% H <sub>2</sub> O, 300 °C	2 %
			L <sup>7)</sup>	0 ... 400 °C <sup>8)</sup>	920 ... 1 120 hPa	0 ... 15 ppmv	0 ... 100 ppmv	1 200 ppmv*m	0.5 ppmv*m	1.4 ppmv*m at 15 Vol% H <sub>2</sub> O, 250 °C	2 %
HCl		E	A	0 ... 150 °C	950 ... 1 050 hPa	0 ... 30 ppmv	0 ... 6 000 ppmv	1 200 ppmv*m	0.6 ppmv*m	2.2 ppmv*m at 15% H <sub>2</sub> O, 55 °C	5 %
			T	120 ... 210 °C	950 ... 1 050 hPa	0 ... 10 ppmv	0 ... 60 ppmv	720 ppmv*m			
			H	150 ... 250 °C	950 ... 1 050 hPa	0 ... 50 ppmv	0 ... 6 000 ppmv	1 200 ppmv*m	1.0 ppmv*m at 150 °C	3.1 ppmv*m at 15 Vol% H <sub>2</sub> O, 150 °C	5 %
HCl	H <sub>2</sub> O	F	A	0 ... 150 °C	950 ... 1 050 hPa	0 ... 30 ppmv	0 ... 100 ppmv	1 200 ppmv*m	0.6 ppmv*m	2.2 ppmv*m at 15% H <sub>2</sub> O, 55 °C	5 %
			T	120 ... 210 °C	950 ... 1 050 hPa	0 ... 10 ppmv	0 ... 60 ppmv	720 ppmv*m			
			H	150 ... 250 °C	950 ... 1 050 hPa	0 ... 50 ppmv	0 ... 100 ppmv	1 200 ppmv*m	1.0 ppmv*m at 150 °C	3.1 ppmv*m at 15 vol% H <sub>2</sub> O, 150 °C	5 %

Footnotes: See page 2/18.

Standard application Effective optical path length: 0.3 ... 12 m Dust load <sup>3)</sup> : < 50 g/Nm <sup>3</sup>				Min. measuring range (with 1 m eff. opt. path length)	Max. measuring range (usually also dependent on eff. opt. path length: see following column)	(Max. measuring range x path length)	(DL x path length) under standard conditions <sup>1)2)</sup>	(DL x path length) at 1 013 hPa with cross-interference of gas 1	Accuracy <sup>4)</sup>	Purging gas mode		Purging gas medium
Gas 1	Gas 2	Gas code	Appl. code	Gas 2	Gas 2	Gas 2	Gas 2	Gas 2	Gas 2	Standard	Optional	
O <sub>2</sub>		A	B <sup>6)</sup>							E, F	G, H	Steam + air, N <sub>2</sub>
			C							D	B	N <sub>2</sub>
			P							D	B	N <sub>2</sub>
NH <sub>3</sub>		C	A							C	G	Air
			T							C	G	Air
			E							E	G	Air
			F							E	G	Air
			L							C	D	Air
NH <sub>3</sub>	H <sub>2</sub> O	D	A	0 ... 5 vol%	0 ... 30 vol%	240 vol%*m	0.1 vol%*m	0.1 vol%*m	5 %	C	G	Air
			T	0 ... 5 vol%	0 ... 30 vol%	240 vol%*m	0.1 vol%*m	0.1 vol%*m	5 %	C	G	Air
			E	0 ... 5 vol%	0 ... 30 vol%	240 vol%*m	0.1 vol%*m at 250 °C	0.1 vol%*m at 250 °C	5 %	E	G	Air
			F	0 ... 5 vol%	0 ... 30 vol%	240 vol%*m	0.1 vol%*m at 300 °C*	0.1 vol%*m at 300 °C*	5 %	E	G	Air
			L	0 ... 5 vol%	0 ... 30 vol%	250 vol%*m	0.1 vol%*m at 250 °C*	0.1 vol%*m at 250 °C*	5 %	C	D	Air
HCl		E	A							C	G	Air
			T							C	G	Air
			H							E	G	Air
HCl	H <sub>2</sub> O	F	A	0 ... 5 vol%	0 ... 30 vol%	360 vol%*m	0.1 vol%*m	0.1 vol%*m	5 %	C	G	Air
			T	0 ... 5 vol%	0 ... 30 vol%	360 vol%*m				C	G	Air
			H	0 ... 5 vol%	0 ... 30 vol%	360 vol%*m	0.1 vol%*m at 150 °C	0.1 vol%*m at 150 °C	5 %	E	G	Air

Footnotes: See page 2/19.

## Continuous Gas Analyzers, in-situ

LDS 6

### 19" central unit

Standard application Effective optical path length: 0.3 ... 12 m Dust load <sup>2)</sup> : < 50 g/Nm <sup>3</sup>				Process gas temperature $T_{\min}$ ... $T_{\max}$	Process gas pressure $P_{\min}$ ... $P_{\max}$	Min. measuring range (with 1 m eff. opt. path length)	Max. measuring range (also dependent on eff. opt. path length: see following column)	(Max. measuring range x path length)	(DL x path length) under standard conditions <sup>1)</sup> without cross-interference of other gases	(DL x path length) at 1 013 hPa with cross-interference of gas 2	Accuracy <sup>3)</sup>
Gas 1	Gas 2	Gas code	Appl. code			Gas 1	Gas 1	Gas 1	Gas 1	Gas 1	Gas 1
HF		G	A	0 ... 150 °C	950 ... 1 050 hPa	0 ... 5 ppmv	0 ... 1 500 ppmv	200 ppmv*m	0.1 ppmv*m	0.6 ppmv*m at 15 vol% H <sub>2</sub> O, 55 °C	5 %
			H	150 ... 250 °C	950 ... 1 050 hPa	0 ... 5 ppmv	0 ... 1 500 ppmv	200 ppmv*m	0.11 ppmv*m at 150 °C	0.6 ppmv*m at 15 vol% H <sub>2</sub> O, 150 °C	5 %
HF	H <sub>2</sub> O	H	A	0 ... 150 °C	950 ... 1 050 hPa	0 ... 5 ppmv	0 ... 200 ppmv	200 ppmv*m	0.1 ppmv*m	0.6 ppmv*m at 15 vol% H <sub>2</sub> O, 55 °C	5 %
			H	150 ... 250 °C	950 ... 1 050 hPa	0 ... 5 ppmv	0 ... 200 ppmv	200 ppmv*m	0.11 ppmv*m at 150 °C	0.6 ppmv*m at 15 vol% H <sub>2</sub> O, 150 °C	5 %
CO		J	C	0 ... 600 °C	950 ... 1 050 hPa	0 ... 1.5 vol%	0 ... 100 vol%	40 vol%*m	300 ppmv*m	1 000 ppmv*m at 50 vol% CO <sub>2</sub> , 20 °C	2 %
CO	CO <sub>2</sub>	K	D	0 ... 400 °C	800 ... 1 400 hPa	0 ... 5 vol%	0 ... 100 vol%	0 ... 200 vol%*m	0,1 vol%*m	0.5 Vol% at 50 vol% CO <sub>2</sub> , 20 °C	2 % <sup>5)</sup>
CO <sub>2</sub>		L	A	0 ... 150 °C	950 ... 1 050 hPa	0 ... 7.5 vol%	0 ... 100 vol%	40 vol%*m	300 ppmv*m		2 %
H <sub>2</sub> O		M	A	0 ... 150 °C	950 ... 1 050 hPa	0 ... 5 vol%	0 ... 30 vol%	240 vol%*m	0.1 vol%*m		5 %
			T	0 ... 150 °C	950 ... 1 050 hPa	0 ... 5 vol%	0 ... 30 vol%	240 vol%*m	0.1 vol%*m		5 %

<sup>1)</sup> All technical data apply to an optical path distance of 1 m in a nitrogen atmosphere under standard conditions 25 °C (or  $T_{\min}$ ) and 1 013 hPa. The effective detection limit, the measuring range and the accuracy can be influenced by process parameters such as pressure, temperature and gas composition. Not all combinations of maximum pressure and temperature can be realized with the minimum measuring ranges. If the process conditions deviate from the specifications of the standard applications, special applications are also possible on request.

**Please complete the application questionnaire which can be found on the Internet at [www.siemens.com/insituquestionnaire](http://www.siemens.com/insituquestionnaire).**

<sup>2)</sup> At 0.3 m effective optical path length, average diameter of the dust particles: 15 µm, specific weight of the dust particles: 650 kg/m<sup>3</sup>

<sup>3)</sup> At least: Detection limit

<sup>4)</sup> Up to 200 °C, 5 % above this

<sup>5)</sup> The accuracy corresponds to intrinsic uncertainty according to IEC 61207: 2 % of MV (0 ... 200 °C); 2.5 % of MV (0 ... 400 °C); at best 0.25 vol%\*m.

<sup>6)</sup> At high process temperatures, the use of an IR filter A5E00534668 is recommended for the CD 6 sensor (see page 2/26).

<sup>7)</sup> Suitable to measure NH<sub>3</sub> according to the requirements of "Regulation No. 595/2009/EC on type-approval of motor vehicles and engines with respect to emissions from heavy duty vehicles (EURO VI) from June 18, 2009 and its implementation standard the regulation 582/2011/EC from May 25, 2011" of the Commission of the European Community.

<sup>8)</sup> The analyzer can measure at temperatures above 400 °C up to 1 000 °C. As NH<sub>3</sub> will decompose at higher temperature levels no analyzer specification can be given for these temperature ranges.



Standard application Effective optical path length: 0.3 ... 12 m Dust load <sup>3)</sup> : < 50 g/Nm <sup>3</sup>				Min. measuring range (with 1 m eff. opt. path length)	Max. measuring range (usually also dependent on eff. opt. path length: see following column)	(Max. measuring range x path length)	(DL x path length) under standard conditions <sup>1) 2)</sup>	(DL x path length) at 1 013 hPa with cross-interference of gas 1	Accuracy <sup>4)</sup>	Purging gas mode		Purging gas medium
Gas 1	Gas 2	Gas code	Appl. code	Gas 2	Gas 2	Gas 2	Gas 2	Gas 2	Gas 2	Standard	Optional	
HF		G	A							C	G	Air
			H							E	G	Air
HF	H <sub>2</sub> O	H	A	0 ... 5 vol%	0 ... 30 vol%	360 vol%*m	0.1 vol%*m	0.1 vol%*m	5 %	C	G	Air
			H	0 ... 5 vol%	0 ... 30 vol%	360 vol%*m	300 ppmv*m at 200 °C	300 ppmv*m at 200 °C	5 %	E	G	Air
CO		J	C							E	G	Air, N <sub>2</sub>
CO	CO <sub>2</sub>	K	D	0 ... 10 vol%	0 ... 100 vol%	0 ... 200 vol%*m	0.2 vol%*m	1 vol% at 50 vol% CO, 20 °C	5 % <sup>5)</sup>	C	G	Air
CO <sub>2</sub>		L	A							C	G	Air
H <sub>2</sub> O		M	A							C	G	Air
			T							C	G	Air

- 1) At 20 °C, 1 013 hPa
- 2) If the smallest permissible process gas temperature of the application is T<sub>min</sub> > 20 °C, the detection limit refers to T<sub>min</sub> and standard pressure (1 013 hPa)
- 3) At 0.3 m optical path length, average diameter of the dust particles: 15 µm, specific weight of the dust particles: 650 kg/m<sup>3</sup>
- 4) At least: Detection limit
- 5) The accuracy corresponds to intrinsic uncertainty according to IEC 61207: 5 % of MV; at best 0.5 vol%\*m.
- 6) At high process temperatures, the use of an IR filter A5E00534668 is recommended for the CD 6 sensor (see page 2/26).

**Special applications**



If the process conditions deviate from the specifications of the standard applications, special applications are also possible on request. Please complete the application questionnaire which can be found at [www.siemens.com/insituquestionnaire](http://www.siemens.com/insituquestionnaire) on the Internet.

## Continuous Gas Analyzers, in-situ

LDS 6

### Cross-duct sensor CD 6

#### Overview

##### **Cross-duct sensors CD 6 and cables for non-Ex applications**

The standard cross-duct sensor consists of a transmitter unit and a detector unit with the same dimensions. The transmitter unit provides a connector for the fiber-optic cable. The laser light is transmitted through this cable. The receiver unit contains a photodetector and an electronics PCB, and is connected to the detector unit by a sensor cable.

The sensors are mounted onto flanges. The easiest way to avoid condensation and dust deposits on the sensor windows is to use a purging gas, e.g. with instrument air. Purging must be selected depending on the application. The cross-duct sensors can therefore be configured for the respective situation. The application reference table provides recommendations for suitable purging with standard applications.

If a component is to be measured which is also present in measurable quantities in the purging medium - such as oxygen or moisture - it is necessary to use purging gases such as nitrogen, superheated process steam or similar. In such cases it is usually also necessary to purge the sensor heads, since the ambient air must also be displaced here out of the laser beam path. A differentiation is therefore made between purging on the process side and purging on the sensor side.

Note: For measurement of O<sub>2</sub> at gas temperatures above 600 °C, it may also be possible to tolerate air as the purging medium since its influence on the measurement can be compensated.

##### Applications with oxygen (high-pressure)

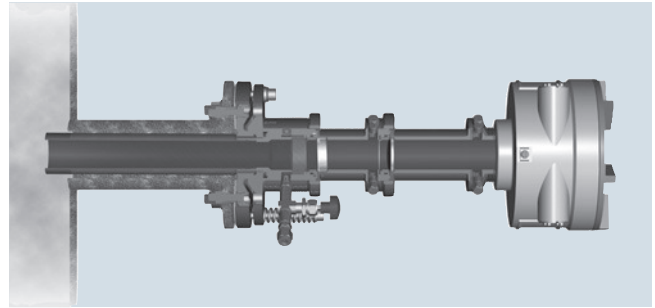
For oxygen measurements with a higher process gas pressure (1 to 5 bar), the sensor CD 6 can be used together with a high-pressure window flange as the process connection. This window flange is also available in the standard sizes DN 65/PN 6, DN 80/PN 16 or ANSI 4"/150 lbs. The optical surface to the process is made of borosilicate glass. High-pressure window flanges can be equipped with window purging, but without purging tubes. Possible purge modes for the window flanges are "A-C" (no purging or moderate purging on the process side). Window flanges are tested for leakage before delivery using overpressure, and show leakage rates of less than 10<sup>-5</sup> mbar-l/s.

For ordering this application, the MLFB code of the central unit with the application code "P" must be selected. The process interface suitable for the sensors can be chosen by selection of the corresponding code in the 6th configurable position of the MLFB number.

The most important sensor purging configurations are presented below:

##### Purging on the process side with moderate flow

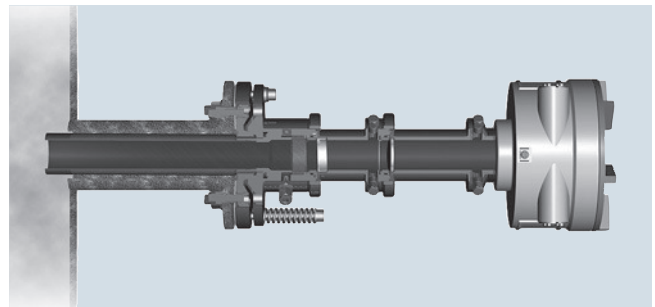
Is selected e.g. for pure gas applications, emission monitoring, inerting monitoring. The purging gas flow can be adjusted between 0 and approx. 120 l/min at each sensor head using a needle valve (included in delivery).



Moderate purging on the process side

##### Purging on the process side with increased flow

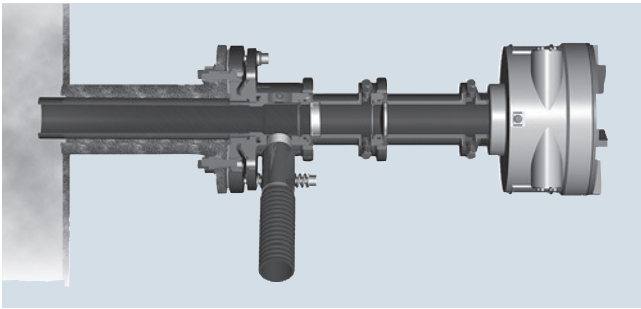
Through omission of needle valve. This type of purging is selected in crude gas applications with higher concentrations of particles and/or condensation as well as in non-purified flue gases in combustion plants. The purging gas flow is typically set between 200 and 500 l/min on each sensor head depending on the input pressure of the purging medium.



Increased purging on the process side

##### Purging on the process side with high flow

Through use of air blower or dry process steam. Connectors with hose adapters are included in the delivery. An additional Swagelok adapter must be ordered if a high flow of steam or instrument air purging is required (option A27). This type of purging is selected in crude gas applications with very high concentrations of particles and/or condensation such as in the furnaces of combustion plants. If instrument air is not available, an air blower is also an alternative for purging in applications with lower demands. On the process side, dry steam can be used as the inert purging gas instead of nitrogen (T<sub>max</sub> 240 °C). The purging gas flow is automatically set between 500 and < 1 000 l/min on each sensor head depending on the purging air blower or the steam pressure.



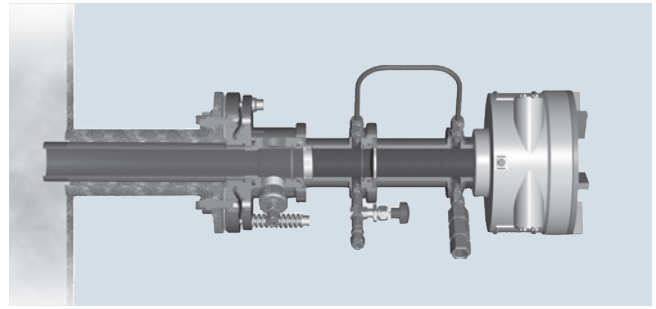
Increased purging on the process side, with hose connection adapter

Purging on sensor side

Can be combined with any purging mode on the process side, and is always selected if the ambient air must never have an influence on the measurement. The volumes within the sensor head are then continuously purged with an O<sub>2</sub>-free gas (with H<sub>2</sub>O-free gas in the case of moisture measurement).

**Note**

With purging on the process side, it may be necessary to use non-return valves to ensure no process gas can enter the purging gas line in the event of failure of the purging gas supply. This applies especially in the case of cascaded process and sensor purging where there is otherwise the danger that, for example, corrosive process gases could enter the sensor enclosure.



Sensor configuration with high purging on the process side, with 6 mm joint for use with steam, and with N<sub>2</sub> purging on the sensor side

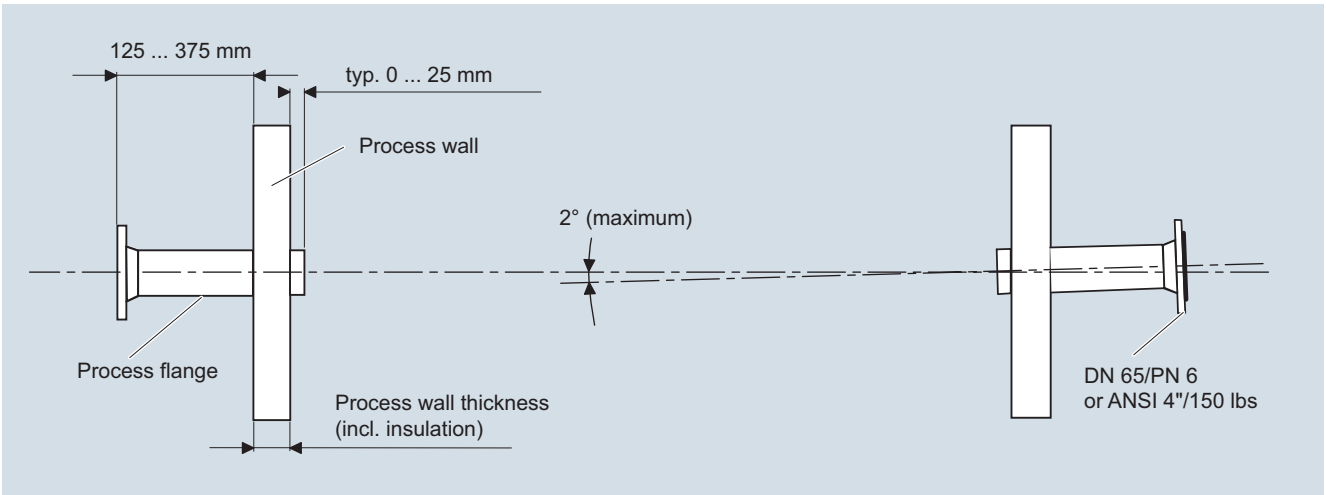
The purging media used on the process side flow through purging gas tubes into the process gas flow. The tubes extend a few centimeters into the process area, and usually receive a flow of process gas from the side. This results in a wedge being generated in the inlet zone of the purging gas. The effective measuring path in the process gas is therefore well-defined as the distance between the ends of the two purging gas inlet tubes.

**Cross-duct sensor CD 6: Options and accessories**

Sensor alignment kit

Includes a battery-operated visible light source, a centering aid with crosshair, and two hook spanners for opening the optics tube of the sensors.

Please note: the sensor alignment kit is not explosion protected.



Installation requirements for the cross-duct sensors CD 6

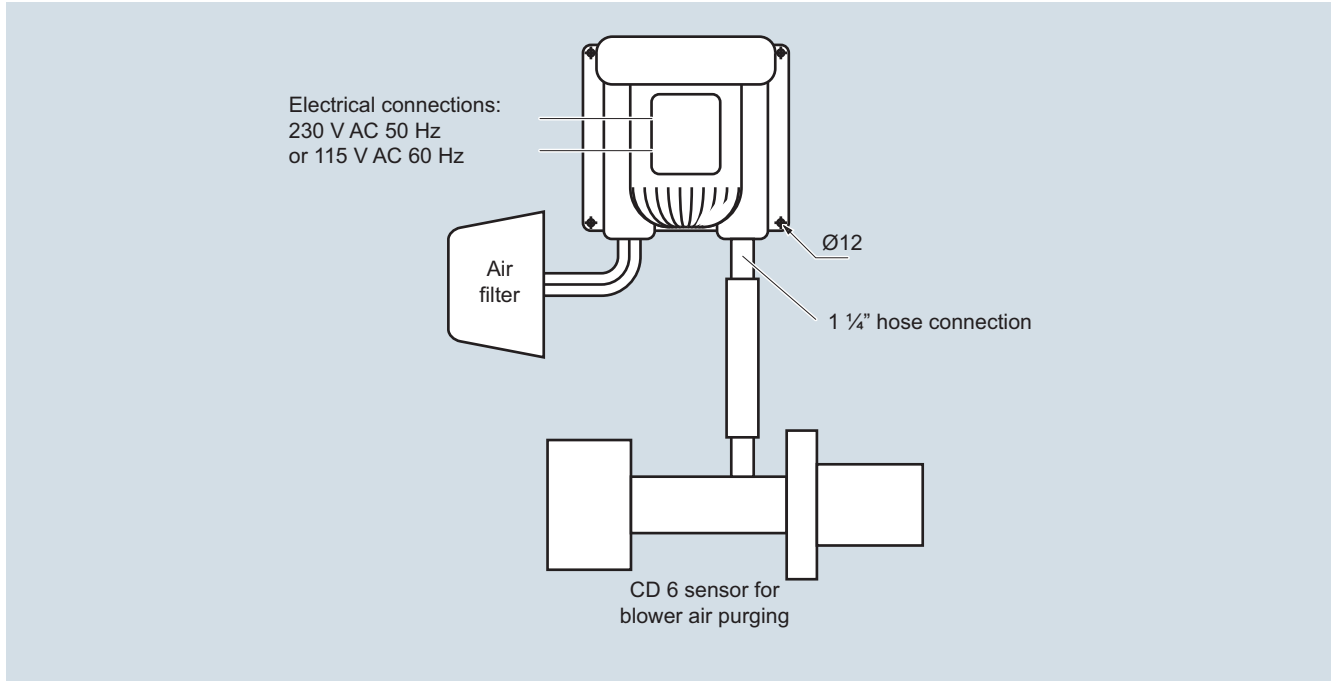
## Continuous Gas Analyzers, in-situ

LDS 6

### Cross-duct sensor CD 6

#### Purging air blower

Two purging air blowers are required to purge the sensor heads.  
Both 230 V AC and 115 V AC versions can be ordered.



Sensor configuration with purging air blower

#### Flow cell (available on special application)

For implementation of measuring configurations with bypass mode. The cell consists of a stainless steel tube whose internal surfaces are coated with PTFE to minimize surface effects. With an effective measuring path of 1 m, the inner volume is only 1.2 l, and fast gas displacement times can therefore be achieved. The flow of sample gas can be from the ends or from the center of the tube, since appropriate 6 mm joints are present here. The flow cell can be ordered in four configurations:

- Unheated, including assembly for wall mounting
- Unheated, including assembly for wall mounting and a 19" housing with an air jet pump with a delivery rate of max. 30 l/min
- As above, but can be heated up to approx. 200 °C
- As above, but can be heated up to approx. 200 °C and mounted on a rack with wheels and integrated 19" frame

#### Optical bandpass filter (only for O<sub>2</sub> CD 6)

Serves to protect the light-sensitive detector in the receiver unit of the sensor from saturation by IR background radiation. Is used with measurements in very hot process gases ( $T > 1\,000\text{ °C}$ ) or with unavoidable appearances of flames in the measurement path.

**Technical specifications****Cross-duct sensor CD 6****General information**

Design	Transmitter and detector units, connected by a sensor cable
Materials	Stainless steel (1.4305/303), aluminum
Installation	Vertical or parallel to the gas flow
Laser protection class	Class 1, safe to the eye
Explosion protection	II 1 G Ex ia op is IIC T4 Ga, II 1 D Ex ia op is IIIC T135 °C Da  A defined leak rate can only be guaranteed when using high-pressure window flanges. Otherwise it may be necessary for the owner to carry out an evaluation in accordance with ATEX DEMKO 06 ATEX 139648X; IECEx UL 13.0029X

**Design, enclosure**

Degree of protection	IP65
Dimensions	Diameter: 163, L: 450 mm
Purging gas tube in mm	400 (370 net) x 44 x 40 800 (770 net) x 54 x 40 1 200 (1 170 net) x 54 x 40
Weight	2 x approx. 11 kg
Mounting	DN 65/PN 6, DN 80/PN 16, ANSI 4"/150 lbs

## Please note:

- For purging tubes with a length of 800 and 1 200 mm, the wall thickness must not exceed 200 mm with DN 65/PN 6 connections. To carry out measurements with thicker walls, please contact Siemens.
- The optimum adjustment of the flanges can change with high differences in temperature between the process and environment depending on the type of assembly.

**Electrical characteristics**

Power supply	24 V DC, supply from central unit via hybrid cable
Power consumption	< 2 W during operation, max. 0.6 W with Ex configuration

**Climatic conditions**

Sensor temperature	
• Non-Ex	-20 ... +70 °C during operation, -30 ... +70 °C during storage and transportation
• Ex	-20 ... +60 °C during operation, -30 ... +70 °C during storage and transportation
Humidity	< 95 % RH, above dew point
Pressure	800 ... 1 100 hPa
Temperature range on the sensor side of the process interface (connection plate)	-20 ... +70 °C

**Measuring conditions**

Measurement path	0.3 ... 12 m (other lengths on request)
Dust load	The influence of dust is very complex and depends on the path length and particle size. The optical attenuation increases exponentially at longer path lengths. Smaller particles also have a large influence on the optical attenuation. With high dust load, long path length and small particle size, the technical support at Siemens should be consulted.

**Accessories****Purging**

Nitrogen is permissible as the purging gas for the sensor side. Nitrogen, steam, air and gases which are not subject to the pressure equipment directive Cat. 2 are permissible as purging gases for the process side.

Purging with instrument air, N<sub>2</sub>

- Max. overpressure in the sensor

< 500 hPa

- Quality

- Instrument air

According to ISO 8573-1:2010 [2:3:3]

Note: It is sufficient if the pressure condensation point is min. 10 K below the minimum ambient temperature.

- Nitrogen

Purity better than 99.7 %. For oxygen measurements, an O<sub>2</sub> content < 0.01 % in the purging gas (optical path length ≥ 1 m, min. 5 % oxygen in the process gas)

- Maximum flow rate (process purging)

500 l/min

- Dew point

Benchmark: < -10 °C, condensation on the optics must be avoided

**Blower purging**

- Maximum counter pressure

40 hPa

- Maximum flow rate

850 l/min

- Power consumption

370 W

- Degree of protection (fan)

IP54, cover required to protect against rain

**Steam purging**

- Steam conditioning

Overheated

- Maximum temperature

240 °C

- Minimum pressure

> 4 000 hPa

- Maximum pressure

16 000 hPa, refers to a volume flow of approx. 1 100 l/min

## Continuous Gas Analyzers, in-situ

LDS 6

### Cross-duct sensor CD 6

#### Hybrid and sensor cables

##### General information

Configuration hybrid cable	Two optical fibers and two twisted copper wires in one cable for 24 V DC. Single-mode optical fiber configured at both ends with E2000 angle connectors. Multi-mode optical fiber configured at both ends with SMA connectors. Cable is flame-retardant, very good resistance to oil, gasoline, acids and alkalis, outer sheath UV-resistant
Cable sheath	Oil-resistant polyurethane
Dimensions	<ul style="list-style-type: none"> <li>For &gt; 500 m, an external power supply must be additionally ordered</li> <li>For installation in hazardous zones, non-intrinsically-safe cables have to be spatially separated from intrinsically-safe lines</li> </ul>
<ul style="list-style-type: none"> <li>Diameter</li> <li>Length</li> </ul>	<ul style="list-style-type: none"> <li>&lt; 8.5 mm</li> <li>Use in non-hazardous and Ex Zone 2: Up to 700 m</li> <li>Use in Ex Zone 0 and Zone 1: Up to 250 m</li> </ul>
Weight	75 kg/km
Maximum tensile force	200 N
Maximum lateral pressure	1 000 N/cm
Impact resistance	200 N/cm
Maximum tensile strength	500 N
Minimum bending radius	12 cm

##### Climatic conditions

Ambient temperature	-40 ... +70 °C during transport, storage and operation -5 ... +50 °C during laying
Humidity	< 95 % rel. humidity, above dew point (in operation and storage)



# Continuous Gas Analyzers, in-situ

## LDS 6

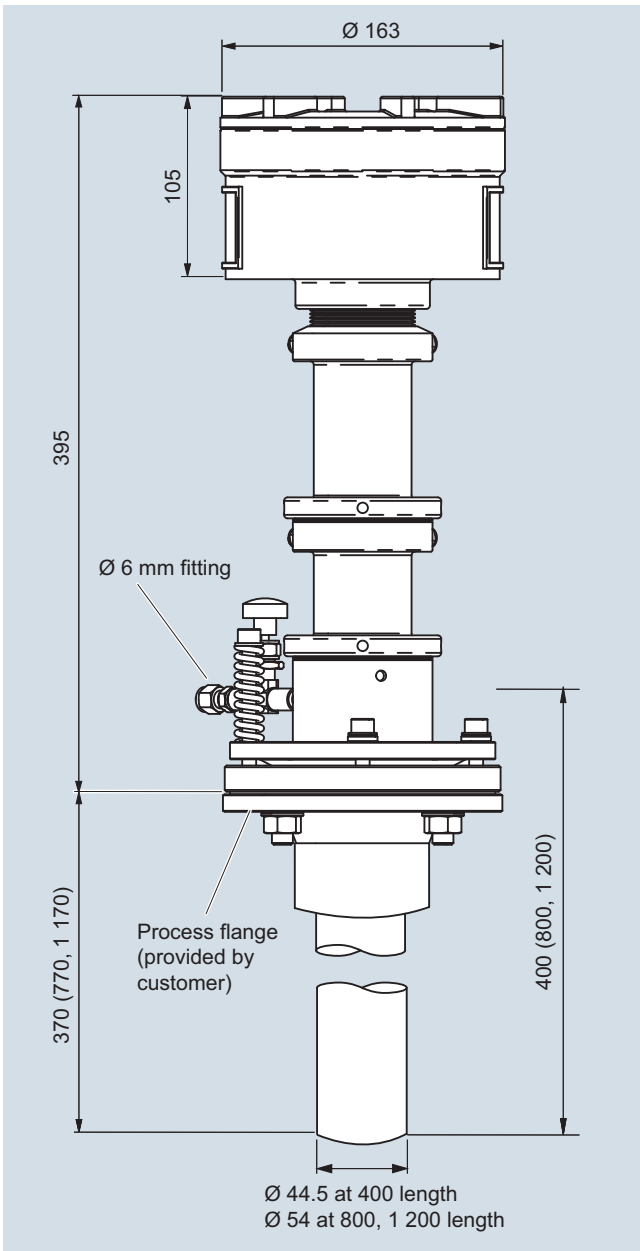
### Cross-duct sensor CD 6

2

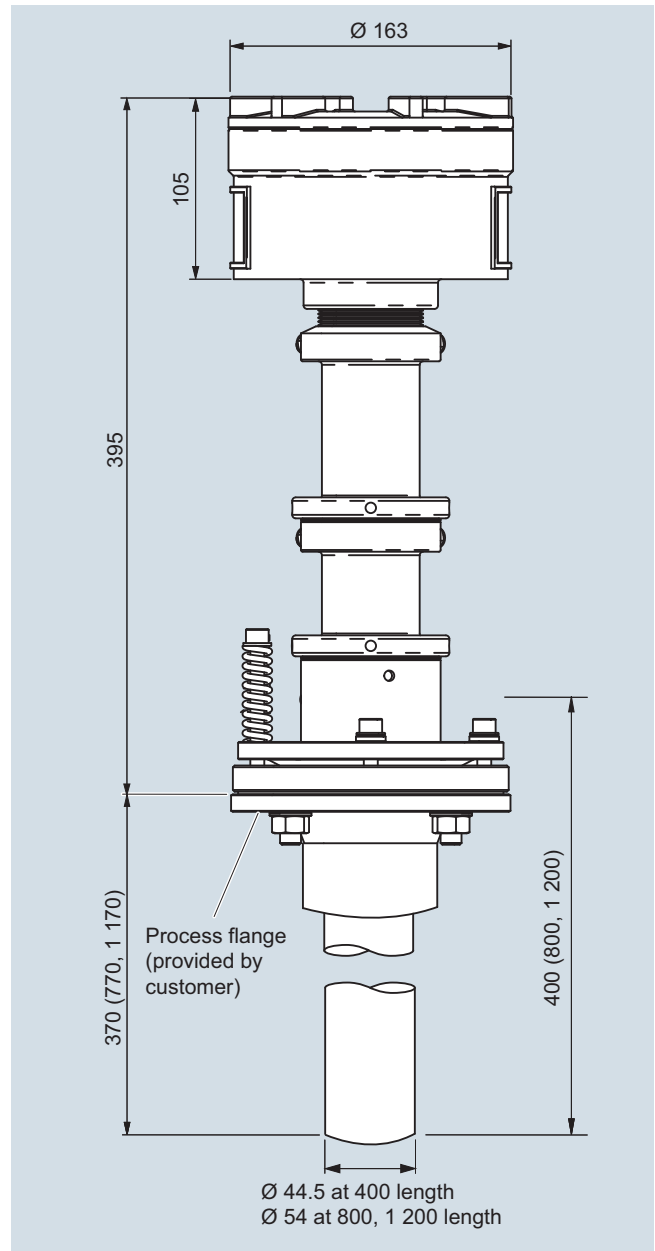
Selection and ordering data		Article No.	
<b>LDS 6 in-situ gas analyzer</b> Pair of sensors (cross-duct sensor)		7MB6122-	Cannot be combined
<b>Sensor connecting cable</b>	<b>Length [m]</b>		
No sensor connecting cable			X
Standard length	5		A
	10		B
	25		E
Customer-specific length	(specified in complete meters)		Z
<b>Language (supplied documentation)</b>			
German			0
English			1
French			2
Spanish			3
Italian			4
Selection and ordering data		Order code	
<b>Additional versions</b> Add "-Z" to Article No. and specify Order code			
6 mm Swagelok adapter for purging with steam, purging modes G and H		A27	
Acceptance test certificate 3.1 (leak test) in accordance with EN 10204 (only in combination with pressure-resistant window flanges)		C12	
Acceptance test certificate 3.1 (material certificate) in accordance with EN 10204 (only in combination with pressure-resistant window flanges)		C13	
Hybrid cable, customized length		P1Y	
Sensor cable, customized length		Q1Y	
TAG label, customized inscription		Y30	
<b>Additional units</b>		Article No.	
Purging air blower 230 V		A5E00829151	
Purging air blower 115 V		A5E00829150	
CD 6, sensor alignment kit		A5E00253142	
Optical filter for reducing IR background radiation (flame filter), only O <sub>2</sub>		A5E00534668	



Dimensional drawings



Cross-duct sensor CD 6, moderate purging (instrument air), version according to Article No. 7MB6122-\*\*C1\*-0\*\*\*, dimensions in mm

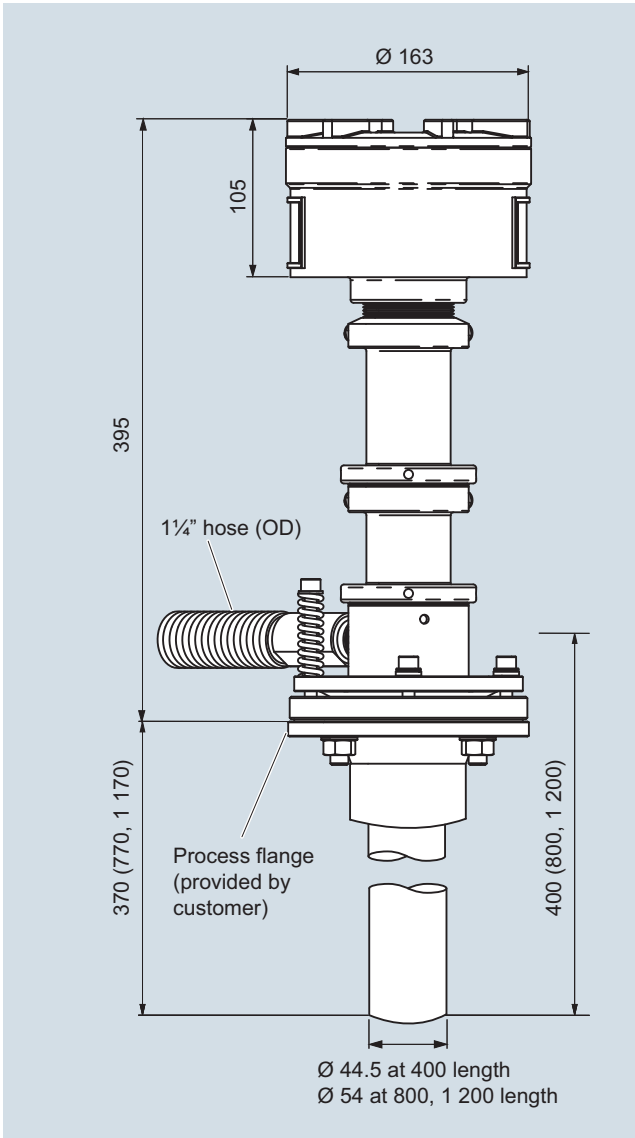


Cross-duct sensor CD 6, increased purging (instrument air), version according to Article No. 7MB6122-\*\*E1\*-0\*\*\*, dimensions in mm

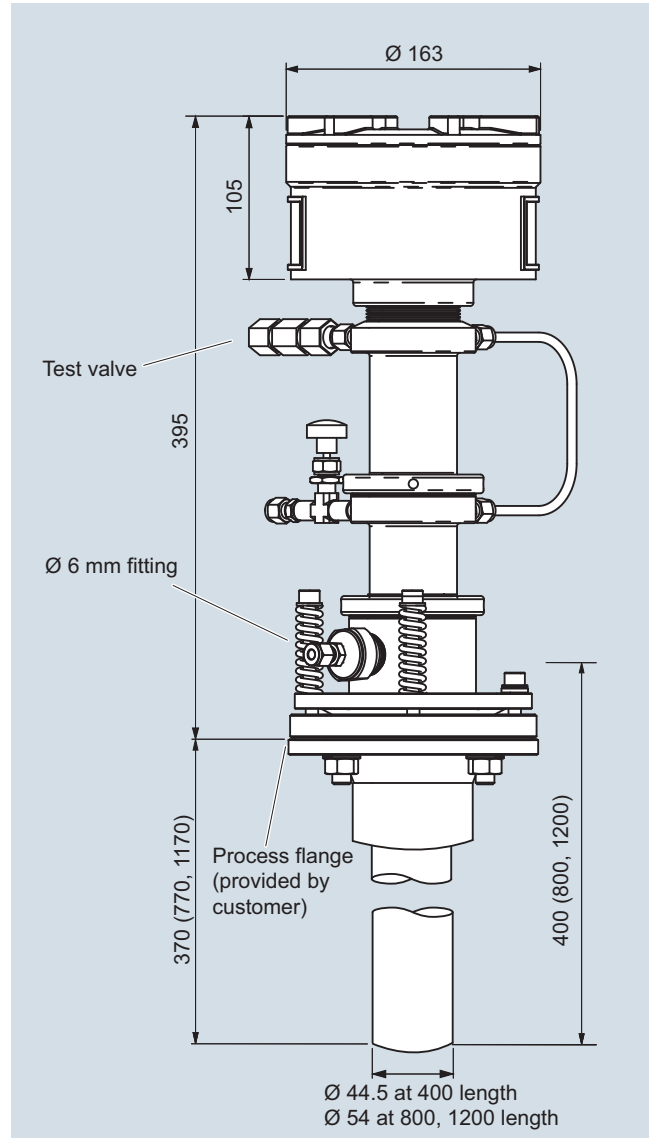
# Continuous Gas Analyzers, in-situ LDS 6

## Cross-duct sensor CD 6

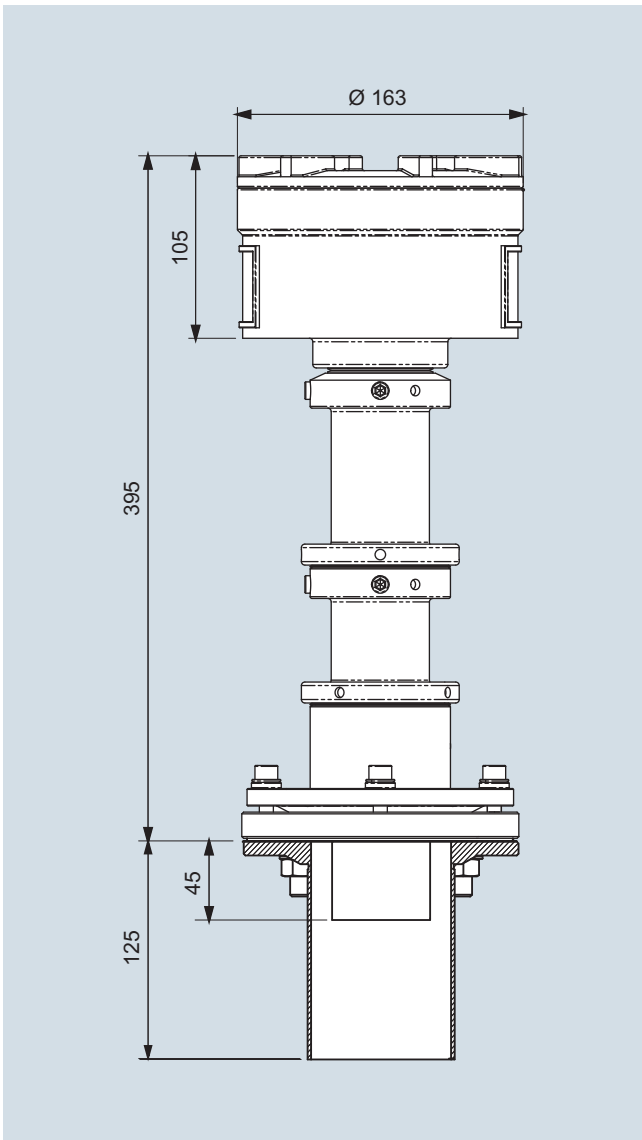
2



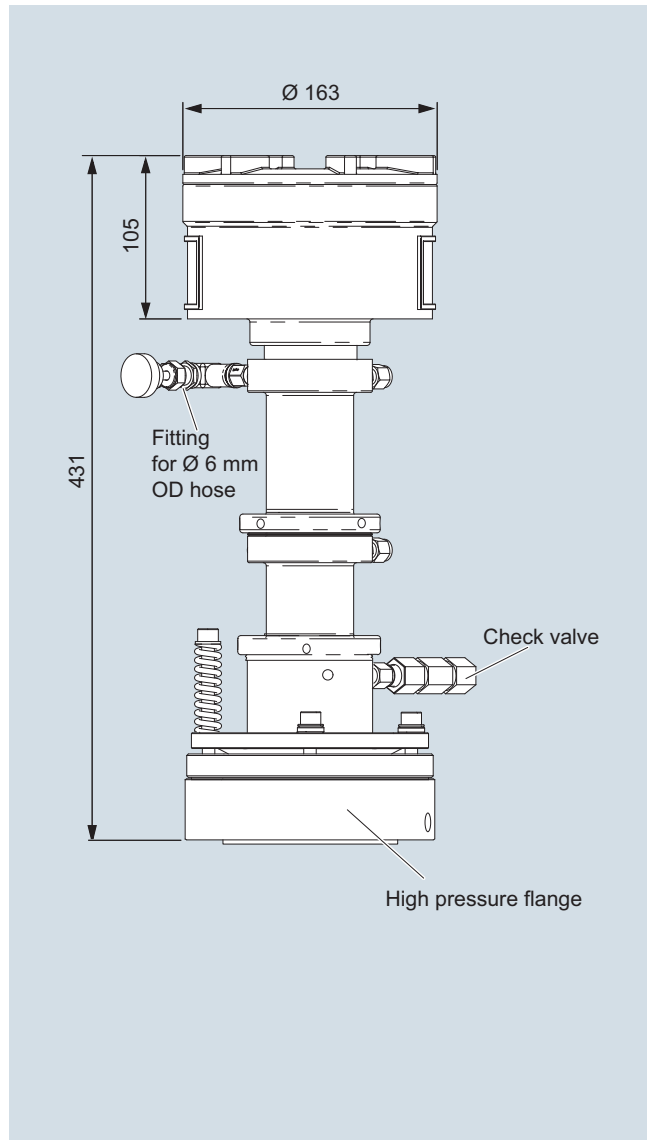
Cross-duct sensor CD 6, blower purging, version according to Article No. 7MB6122-\*\*G1\*-0\*\*\*, dimensions in mm



Cross-duct sensor CD 6, sensor and process side purging, version according to Article No. 7MB6122-\*\*H1\*-0\*\*\*-Z A27, dimensions in mm



Cross-duct sensor CD 6, purged version according to Article No. 7MB6122-\*WC14-2\*\*\*, dimensions in mm



CD 6 high-pressure sensor for oxygen, dimensions in mm

## Continuous Gas Analyzers, in-situ

LDS 6

### Documentation

#### Selection and ordering data

Manual	Article No.
LDS 6 manual	
• German	<b>A5E00295893</b>
• English	<b>A5E00295894</b>
• French	<b>A5E00295895</b>
• Italian	<b>A5E00295896</b>
• Spanish	<b>A5E00362720</b>

### Suggestions for spare parts

#### Selection and ordering data

Description	Quantity for 2 years	Quantity for 5 years	Article No.
CD 6, window module, quartz	1	2	<b>A5E00338487</b>
CD 6, window module, engine test rig, no purging	1	2	<b>A5E00338490</b>
CD 6, high-pressure window flange (1.4404/316L), DN 65/PN 6	1	2	<b>A5E00534662</b>
CD 6, high-pressure window flange (1.4404/316L), DN 80/PN 16	1	2	<b>A5E00534663</b>
CD 6, high-pressure window flange (1.4404/316L), ANSI 4"/150 lbs	1	2	<b>A5E00534664</b>
Gasket for CD 6 hybrid cable	1	2	<b>A5E00853911</b>
CD 6, sensor electronics FO InGaAs (version 2)	1	1	<b>A5E01090409</b>
CD 6, sensor electronics FO Ge, only HCl (version 2)	1	1	<b>A5E01090413</b>
CD 6, sensor electronics SW, only O <sub>2</sub>	1	1	<b>A5E00338533</b>
CD 6, sensor electronics ATEX SW, only O <sub>2</sub>	1	1	<b>A5E00338563</b>
CD 6, sensor electronics ATEX HCl	1	1	<b>A5E00853896</b>
CD 6, sensor electronics ATEX NH <sub>3</sub> , CO, CO <sub>2</sub> , HF, H <sub>2</sub> O, low gain	1	1	<b>A5E00338572</b>
CD 6, purging tube 400 mm 1.4432/316L	1	2	<b>A5E00253111</b>
CD 6, purging tube 800 mm 1.4432/316L	1	2	<b>A5E00253112</b>
CD 6, purging tube 1200 mm 1.4432/316L	1	2	<b>A5E00253113</b>

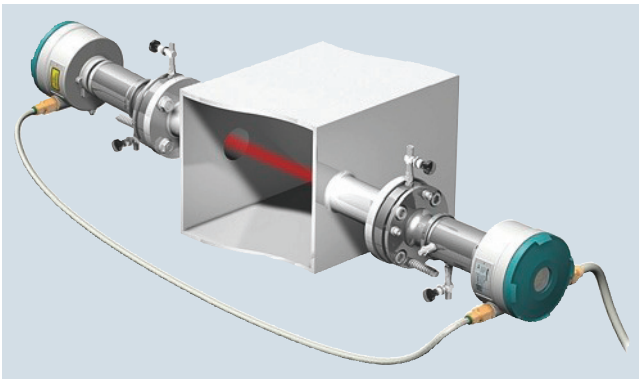
#### More information

For demanding applications it is recommended to keep purging tubes, window modules and detector electronics in stock (quantities stated per measuring point, i.e. per pair of sensors).

For the suitability of different parts (version 1 or version 2) please consult the instrument manual or contact Siemens directly. In general, all new analyzers are compatible with spare parts of version 2.

### Overview

SITRANS SL is a diode laser gas analyzer with a measuring principle based on the specific light absorption of different gas components. SITRANS SL is suitable for fast, non-contact measurement of gas concentrations in process or flue gases. An analyzer consisting of transmitter and receiver units (sensors) is used for each measuring point. The hardware for further processing of the measured signal into a concentration value, as well as the monitoring, control and communication functions, are integrated in these two main modules. The sensors are designed for operation under harsh environmental conditions.



SITRANS SL

### Benefits

The in-situ SITRANS SL gas analyzer features high operational availability, unique analytical selectivity, and a wide range of possible applications. SITRANS SL permits measurement of a gas component directly in the process:

- With high dust load
- In hot, humid, corrosive, explosive, or toxic gases
- In applications showing strong varying gas compositions
- Under harsh environmental conditions at the measuring point
- Highly selective, i.e. mostly without cross-sensitivities

Special features of the SITRANS SL:

- Little installation effort
- Minimum maintenance requirements
- Extremely rugged design
- High long-term stability through built-in, maintenance-free reference gas cell
- Real-time measurements

Moreover, the analyzer provides warning and error messages:

- When maintenance is required
  - With large variations in the reference signal
  - With poor signal quality
- If the transmission violates an upper or lower limit

### Application

#### Applications

- Control of combustion processes
- Process optimization
- Plant and operator safety
- Process measurements in all types of power and combustion plants
- Process control
- Explosion protection
- Measurements in corrosive and toxic gases
- Quality control

#### Sectors

- Chemical and petrochemical plants
- Power plants
- Waste incinerators
- Iron and steel industry

## Continuous Gas Analyzers, in-situ

### SITRANS SL

#### In-situ O<sub>2</sub> gas analyzer

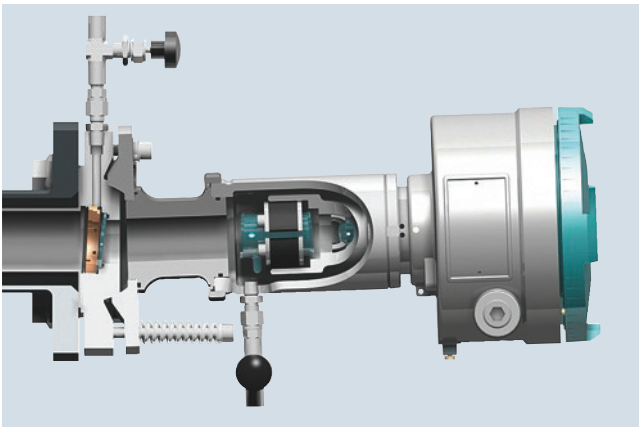
##### Design

The SITRANS SL gas analyzer consists of a pair of cross-duct sensors, a transmitter unit and a detector unit, both with the same dimensions. The complete analyzer is integrated in these two enclosures. The transmitter unit contains the laser source whose light is transmitted to the receiver through the measurement path. The detector unit contains a photodetector including electronics as well as a reference cell. The detector unit is connected to the transmitter unit by means of a sensor cable. A further cable on the receiver is used to connect the power supply and the communication interfaces. The receiver enclosure contains a local user interface (LUI) with an LC display which can be read through a window in the cover. The LUI is operated by remote-control.

##### Transmitter and detector units

Special features of the transmitter and detector units:

- In-situ cross-duct sensors, designed as transmitter and detector units, connected via sensor cable
- Powder-coated aluminium; stainless steel
- Degree of protection IP65
- Adjustable process connection plates
- Flange sizes (provided by customer): DN 50/PN 25, ANSI 4"/150 lbs
- Purging gas connections (see "Purging")
- Optional: Explosion-protected version in accordance with
  - Ex II 2G Ex de op is IIC T6
  - Ex II 2D Ex tD A21 IP65 T85°C



SITRANS SL, detector unit

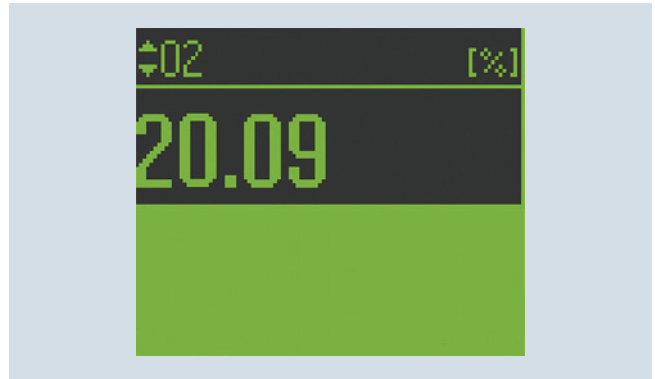
##### Parts in contact with the process gas

Only the stainless steel flange of the sensor with borosilicate window and FFKM gasket is wetted by the process gas. This has optional connections for purging the process gas side with an appropriate gaseous medium.

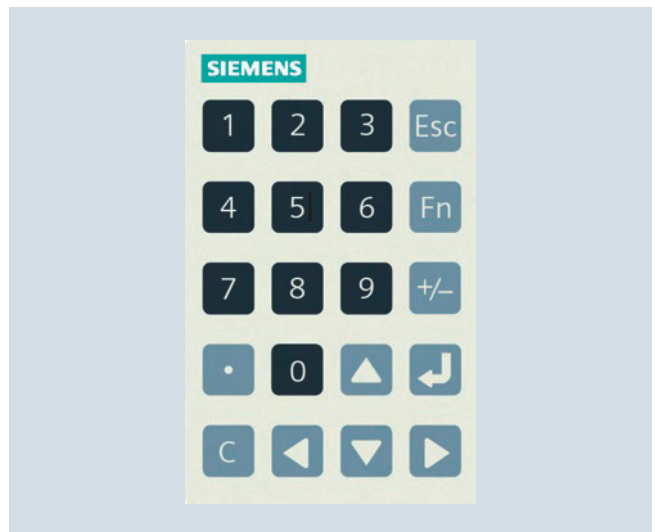
##### Display and control panel

Special features of the detector unit:

- Display for simultaneous output of result and device status
- LED backlighting of display
- Remote control with infrared interface for simplified configuration and operation for safe implementation in hazardous areas
- Menu-driven operation for parameterization and diagnostics



Local user interface (LUI) of SITRANS SL in the detector unit (display of measured value)



Remote control keypad for SITRANS SL

##### Connection cables

SITRANS SL is supplied as standard without connecting cables. These must be provided by the customer or are available as accessories. Exception: The standard ATEX version is supplied with pre-installed cabling.

The sensor cable connects together the transmitter and detector units of the analyzer.

The sensor connecting cable available as a cable set for the ATEX version as standard, and for non-Ex applications optionally, is offered in lengths of 5, 10 or 25 m. This (optional) cable set also enables permanent installation of an Ethernet cable used for service and maintenance purposes.

A rugged cable sleeve should be used as UV protection for installations in open cable ducts or channel systems.

The statutory directives must be observed in the event of installation in hazardous areas.

For the ATEX version of SITRANS SL, the sensor connecting cable must be connected between the two Ex-e terminal boxes secured on the transmitter and receiver units.

## Continuous Gas Analyzers, in-situ SITRANS SL

### In-situ O2 gas analyzer

#### Inputs/outputs

- 2 analog inputs (4 to 20 mA) for process gas temperature and pressure
- 2 analog outputs (4 to 20 mA) for gas concentration or for concentration and transmission
- 1 configurable binary input
- 2 configurable binary outputs (display of faults, maintenance requirement, function monitoring, alarms for limit violations of measured value or transmission)
- 1 Ethernet 10Base-TX port, only for servicing and maintenance

The PROFIBUS DP protocol provides DPV0, cyclic data. Measured values are provided with additional quality data.

#### Optional

- 1 Modbus interface with
  - Output of concentration as cyclic data
  - Alarm output, alarm classification
  - Input for temperature and/or pressure data for compensation
- 1 PROFIBUS DP interface with:
  - Output of concentration as cyclic data
  - Alarm output, alarm classification
  - Input for temperature and/or pressure data for compensation

#### Note:

In contrast to the other interfaces, the Ethernet plug-in connector on standard non-Ex devices is only accessible following removal of the detector unit cover. With the help of the sensor connection cable set (optional with non-Ex devices), an Ethernet cable can be permanently installed via the terminal box of the sensor connecting cable. The Ethernet connection via the sensor connecting cable can also only be used for temporary service and maintenance purposes.

#### NOTICE:

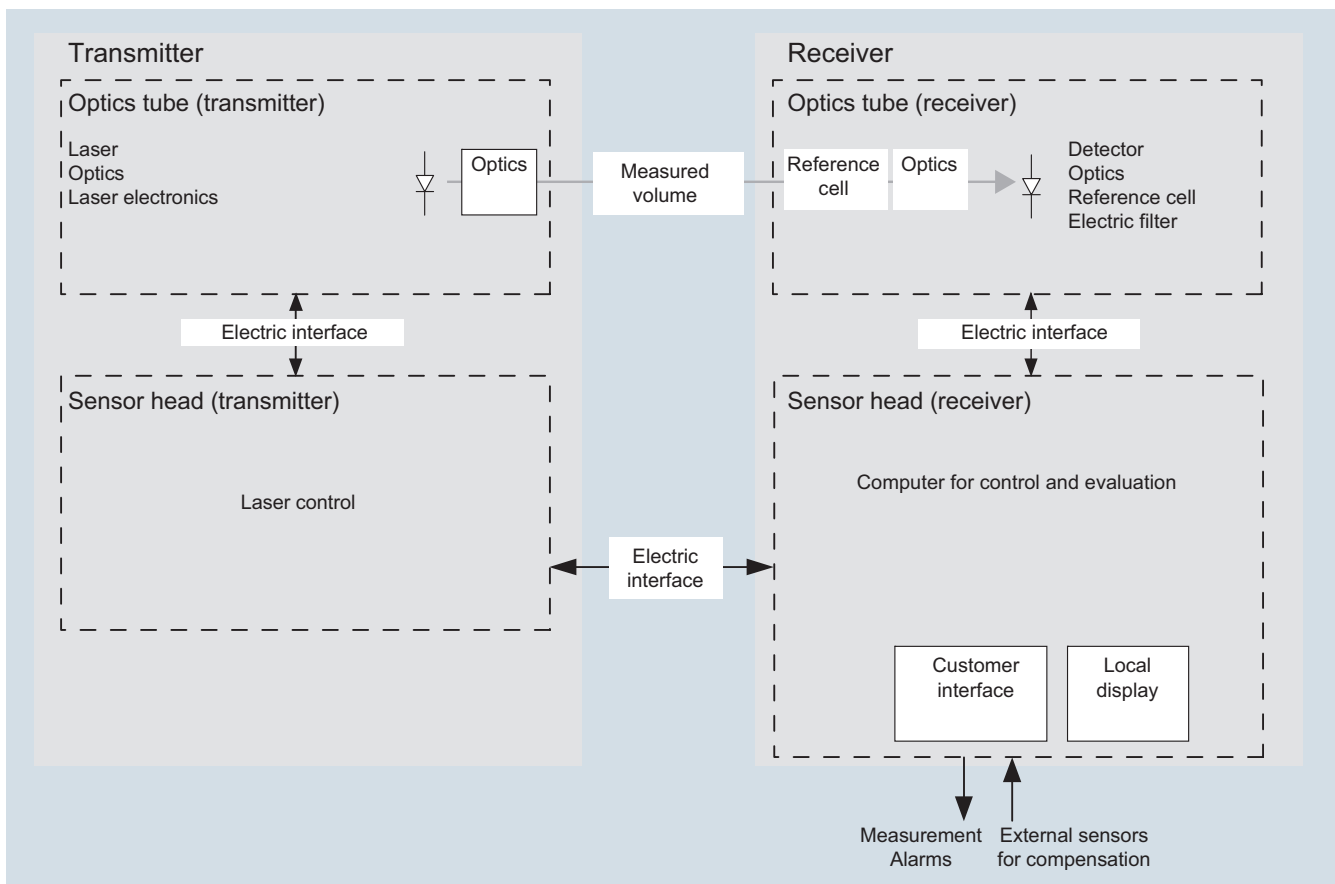
In an Ex environment, Ethernet connections may only be made or removed with the permission of the plant operator!

## Function

### Operating principle

SITRANS SL is a gas analyzer employing single-line molecular absorption spectroscopy. A diode laser emits a beam of infrared light which passes through the process gas and is received by a detector unit. The wavelength of the laser diode output is tuned

to a gas-specific absorption line. The laser continuously scans this single absorption line with a very high spectral resolution. The degree of absorption and the line shape are used for the evaluation.



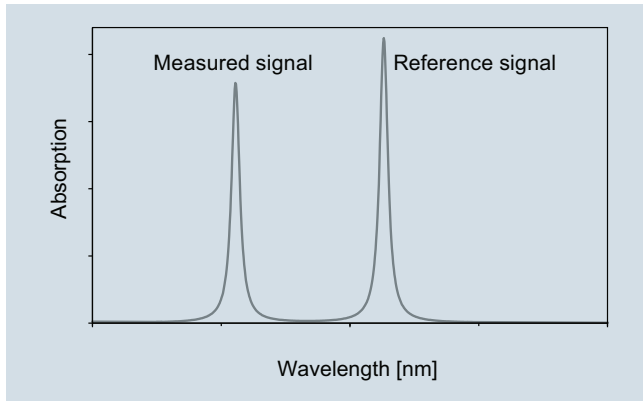
Basic design of the SITRANS SL

## Continuous Gas Analyzers, in-situ SITRANS SL

### In-situ O<sub>2</sub> gas analyzer

The field design of the SITRANS SL in-situ gas analyzer consists of a transmitter unit and a detector unit. The light which is not absorbed by the sample is detected in the receiver. The concentration of the gas component is determined from the absorption.

The SITRANS SL analyzer measures a single gas component by means of the absorption capacity of a single fully resolved molecular absorption line.



Absorption spectrum of measured signal and reference signal with SITRANS SL

SITRANS SL is designed for measuring oxygen (O<sub>2</sub>) at high sensitivity.

Typical application specifications:

Oxygen concentration	0 ... 100 vol %
Process pressure/temperature conditions (with O <sub>2</sub> application)	700 ... 5 000 hPa (absolute)/0 ... 200 °C
	900 ... 1 100 hPa (absolute)/0 ... 600 °C

The measuring performance of the SITRANS SL depends, among others, on the actual, individual process conditions with regard to concentration ranges, pressure and temperature.

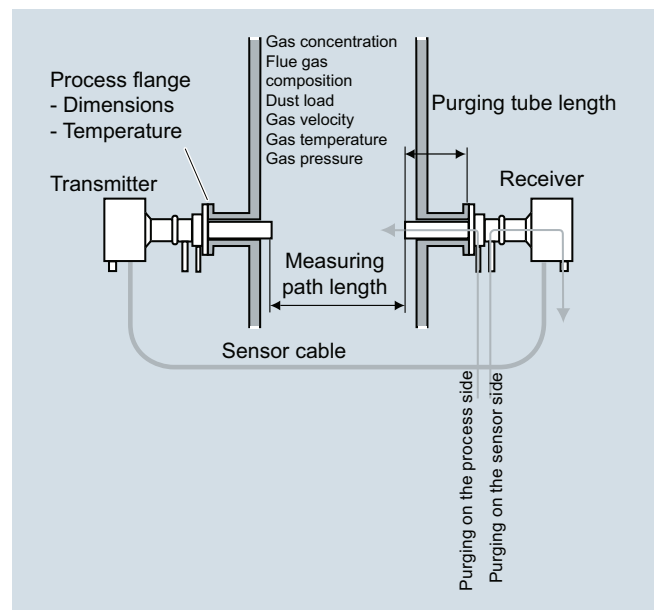
An internal reference cell is used to constantly check the stability of the spectrometer.

The self-calibration of the analyzer is therefore valid for one year without the necessity for external recalibration using calibration gases.

### Configuration

A feature of the in-situ analytical procedure is that the physical measurement takes place directly in the stream of process gas and directly in the actual process gas line. All process parameters such as gas matrix, pressure, temperature, moisture, dust load, flow velocity and mounting orientation can influence the measuring properties of the SITRANS SL and must therefore be investigated for each new application.

The standard applications listed in the ordering data for the SITRANS SL are distinguished in that the typical process conditions are adequately well-known and documented. If you cannot find your application among the standard applications, please contact Siemens. We will be pleased to check your possible individual application of the SITRANS SL. You can find an application questionnaire on the SITRANS SL product site on the Internet: [www.siemens.com/insituquestionnaire](http://www.siemens.com/insituquestionnaire)



Typical cross-duct arrangement of the SITRANS SL

The SITRANS SL can be optionally purged on the process side using appropriate purging gases to prevent contamination of the sensor optics on the process side. Purging tubes on the sensor heads, which slightly extend into the process gas stream, define the effective measuring path length.



### Influences on the measurement

#### Dust load

As long as the laser beam is able to generate a suitable detector signal, the dust load in the process gas does not influence the analytical result. By applying a dynamic background correction, measurements can be carried out without any negative impact. Under optimal conditions, the SITRANS SL can cope with dust loads up to 20 g/Nm<sup>3</sup> and up to a measured path length of 8 m. The influence of a high dust load is extremely complex, and depends on the optical path length and particle size. The optical damping increases exponentially at longer path lengths. Smaller particles also have a very large influence on the optical damping. With high dust load, long path length and small particle size, the technical support at Siemens should be consulted.

#### Temperature

The influence of temperature on the absorption line is compensated by a correction file. A temperature signal can be fed into the instrument from an external temperature sensor. The signal is then used for mathematical correction of the influence of the temperature on the concentration strength. If the process gas temperature remains constant, a static correction can be carried out as an alternative. Without temperature compensation, the relative error caused by changes in the gas temperature has an extensive effect on the measurement (e.g. up to 0.24 %/K with the O<sub>2</sub> application). An external temperature signal is therefore recommended in most cases.

#### Pressure

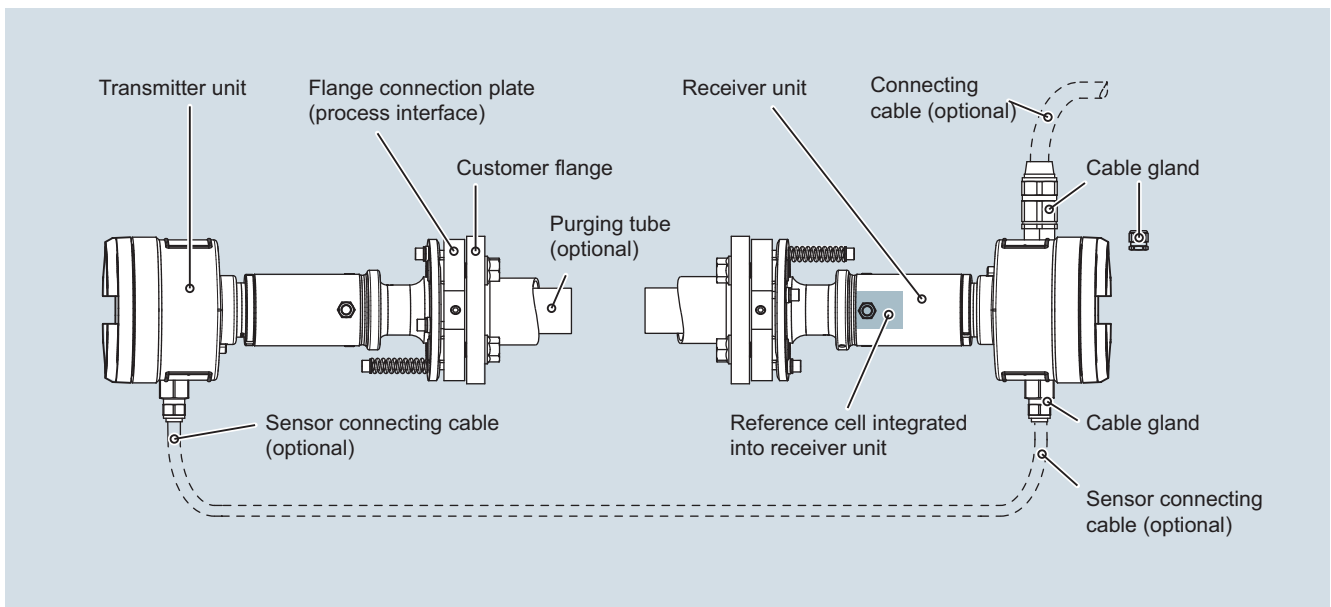
In addition to the temperature signal, an external pressure signal can be fed to the instrument to provide complete mathematical compensation for the pressure influence including the density effect. Without compensation, the relative error caused by changes in the process gas pressure is approx. 0.1 %/hPa. An external pressure signal is therefore recommended in most cases.

#### Effective optical path length

As a result of Beer-Lambert's law, the absorption of laser light depends on the optical path length within the sample gas. Therefore the precision of the effective optical path length measurement can have an effect on the precision of the total measurement.

Since the sensor optics on the process side usually has to be purged to keep it clean for a longer period, the extent of the mixed zone between the purging medium and the process gas as well as the latter's concentration distribution must be considered. In a typical in-situ installation with an optical path length of several meters, the influence of the purging gas on the effective path length can be ignored.

The maximum possible path length and dust load mutually affect each other: the higher the dust load in the process, the shorter the max. possible path length.

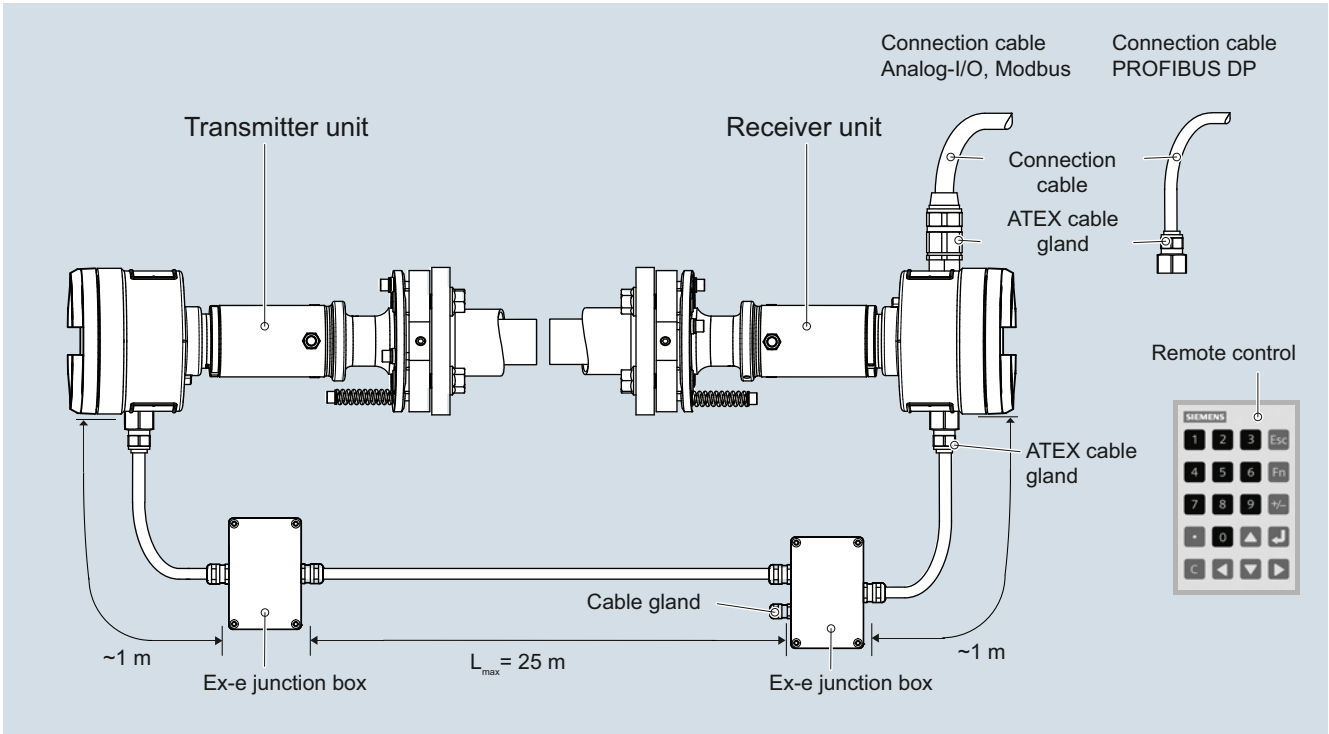


Design of the non-Ex version of the SITRANS SL system

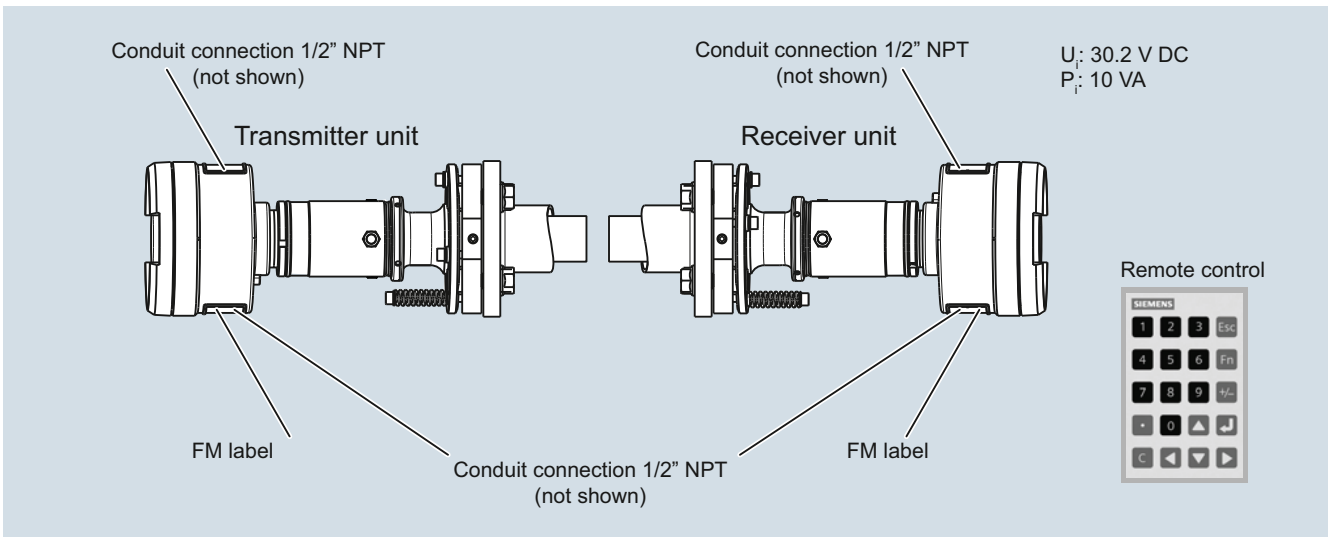
# Continuous Gas Analyzers, in-situ SITRANS SL

## In-situ O<sub>2</sub> gas analyzer

2



Design of the ATEX version of the SITRANS SL system

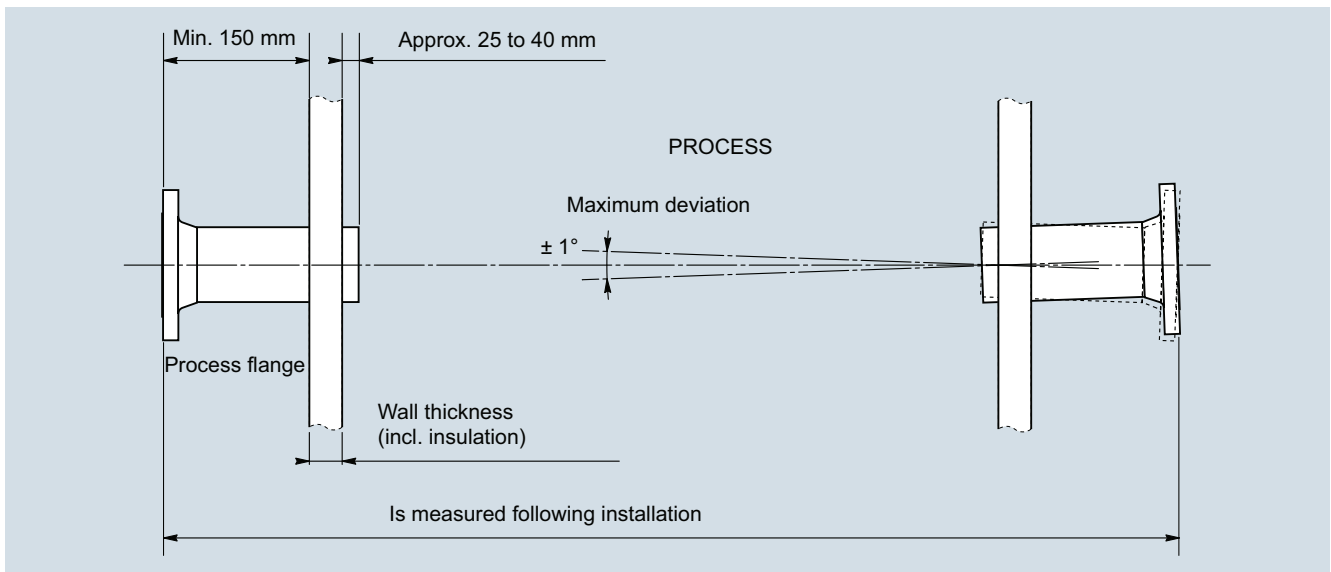


Design of the FM version of the SITRANS SL system

The transmitter and detector units are mounted on process flanges provided by the customer. Correct alignment of these flanges must be guaranteed, e.g. by using the optional sensor alignment kit.

### Adjustment of the pair of sensors

The flange connection plates (process interface) of the SITRANS SL to the process flanges on the customer side must be correctly aligned so that the laser beam generated by the transmitter hits the photodetector in the detector unit. This is guaranteed in that the transmitter and detector units have a curved surface integrated in the connection plates. The adjustment is carried out by shifting the flanges on these surfaces, through which the symmetry axis is aligned. The axis can be off-set by  $\pm 1$  degree, which means that the process flanges must be welded onto the process wall with at least this accuracy - see following figure.



Installation/adjustment requirements for the pair of cross-duct sensors

## Continuous Gas Analyzers, in-situ

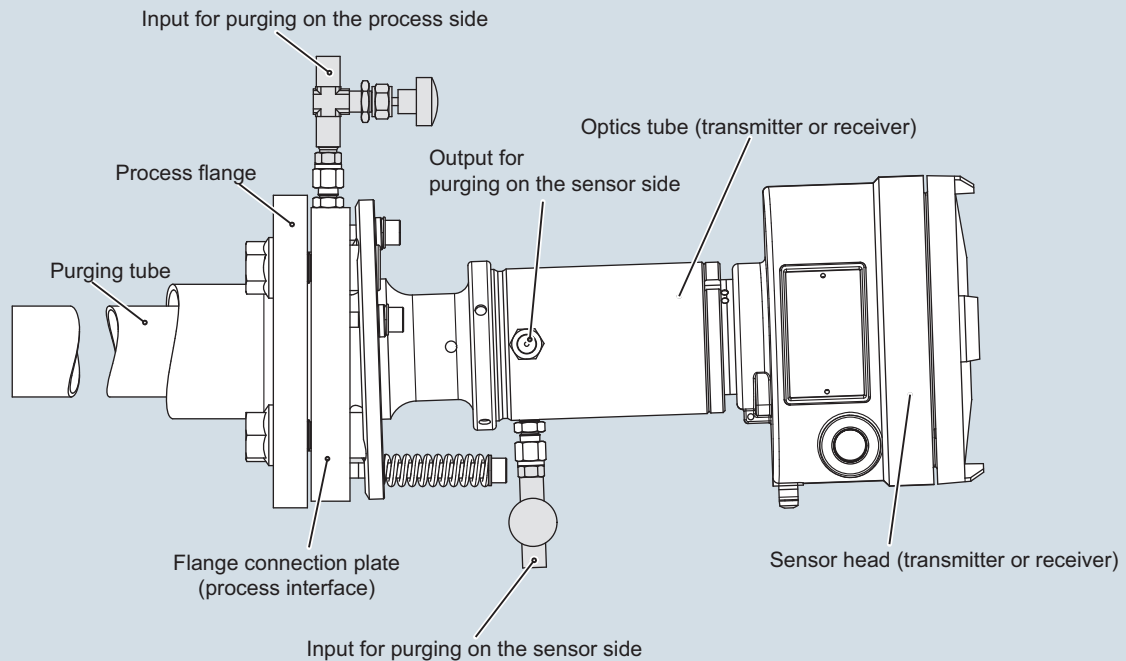
### SITRANS SL

#### In-situ O<sub>2</sub> gas analyzer

##### Purging

The easiest way to avoid condensation and dust deposits on the sensor windows or excessively high thermal load of the windows and the sealing material as well as the sensor electronics is to purge them (with O<sub>2</sub> application: nitrogen). Purging must be selected depending on the application. The transmitted-light sensors can therefore be configured for the respective situation. The application reference table provides recommendations for suitable purging for the standard applications.

If oxygen is to be measured with the SITRANS SL - which is also present in measurable quantities in the ambient air - oxygen-free purging gases must be used, such as nitrogen. It is equally necessary to purge the inside of the sensor heads, since the ambient air must also be displaced here out of the laser beam path. A differentiation is therefore made between purging on the process side and purging on the sensor side.



Arrangement for purging on the sensor side of the SITRANS SL

##### Purging on process side

For purging on the process side, the flow of purging gas can be adjusted between 0 and approx. 50 l/min at each sensor head using a needle valve (included in delivery).

##### Purging on sensor side

This can be combined with the purging on the process side, if required. Purging with nitrogen on the sensor side is almost always necessary for O<sub>2</sub> applications to avoid an offset caused by the oxygen of the air present in the unit. The cells in the sensor head are then continuously purged with nitrogen. Particularly when (re)starting the SITRANS SL O<sub>2</sub>, a sufficiently high flow of purging gas of approx. 3 to 5 l/min must be provided for several minutes to ensure that all residues of oxygen are removed. The flow of sensor purging gas can subsequently be set to a lower value using the needle valve (included in delivery).

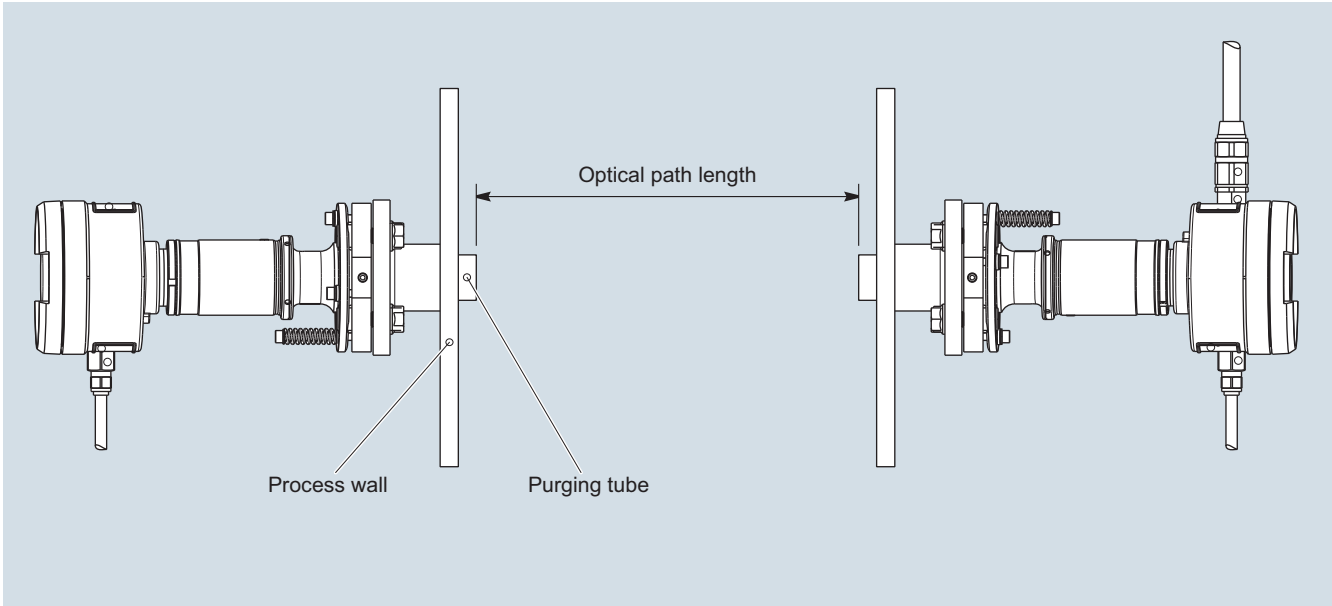
##### Note:

With purging on the process side, it may be necessary to use non-return valves to ensure no process gas can enter the purging gas line in the event of failure of the purging gas supply. This applies especially in the case of cascaded process and sensor purging where there is otherwise the danger that, for example, corrosive process gases could enter the sensor enclosure.

### Purging tubes

The purging media used on the process side flow through purging tubes into the process gas stream. The tubes extend into the process area by a few centimeters, usually perpendicular to the process gas stream. This means that an exactly defined optical path length is defined through the sample gas. The effective

measuring path in the process gas is therefore defined as the distance between the ends of the two purging tubes. The standard length of the purging tubes is 340 mm. To enable sufficient alignment, the process wall should be max. 150 mm thick.



Measurement of the optical path length between the ends of the purging gas tubes

### Maintenance and fault messages

The SITRANS SL carries out continuous self-monitoring, and outputs alarms and warnings to indicate maintenance requirements or a system fault. The information is output as plain text on the LUI display, where symbols identify the category and the severity of the fault.

Alarm categories:

- Maintenance (system must be cleaned or repaired)
- Process value (problem with external sensor, or process conditions outside the permissible range for SITRANS SL)
- Configuration (SITRANS SL is not correctly configured)

Severity:

- Fault (measurements could not be carried out)
- Warning (measurements may be inaccurate, or the system will soon shut down measuring mode if an intervention is not made)
- Advanced warning/information (measurements are carried out)

The two binary (relay) outputs can be configured freely for the alarm output.

The response of the analog outputs in the event of an alarm is configurable; possible actions are:

- Off (current measured value is displayed)
- Last measured value (freezing of last value displayed)
- Standard level (setting to predefined value)
- 3 mA (NAMUR NE43 fault status)

In addition, the transmission is available as an output variable.

### Note

Specific requirements for the measuring point can make the utilization of special sensor equipment necessary. The possibilities for adapting the sensors are:

- Special materials for purging tubes (on request)
- Various types/sizes of sensor flanges
- Explosion-protected sensor configurations

### Essential characteristics

- Long-term stabilization through use of an internal reference cell; calibration interval at least one year
- Dynamic background correction for varying dust loads
- Isolated signal outputs of 4 to 20 mA
- User-friendly, menu-driven operation
- Selectable time constants (response time)
- Password-protected user interface
- I/O operation in accordance with NAMUR recommendations
- Monitoring of overall optical transmission
- Sensor enclosure resistant to wear and corrosion
- Simple local operation using remote-control unit with numeric keypad and menu prompting

# Continuous Gas Analyzers, in-situ SITRANS SL

## In-situ O2 gas analyzer

### Standard applications

The following table lists the measuring conditions for standard applications. The listed values for the measuring range and detection limit are only approximate values. The exact values at the respective measuring point depend on the totality of all influencing variables and can be determined by Siemens for the specific case. Please note that the values for the detection limit and the

maximum measuring range refer to a path length of 1 m. Longer path lengths will improve the detection limit, but not linearly. Due to limiting effects such as dust load. The maximum applicable measuring ranges can only be used if permitted by the process conditions such as dust load.

Standard application Effective optical path length: 0.3 ... 8 m Dust load <sup>2)</sup> : < 50 g/Nm <sup>3</sup>	Process gas temperature T <sub>min</sub> ... T <sub>max</sub>		Process gas pressure P <sub>min</sub> ... P <sub>max</sub>	Min. measuring range (with 1 m eff. opt. path length)	Max. measuring range (also dependent on eff. opt. path length: see following column)	Max. measuring range x path length	DL x path length (under standard conditions <sup>1)</sup> without cross-interference of other gases)	Repeatability <sup>3)</sup>	Purging gas medium	
	Sample gas component	Gas code	Appl. code							
O <sub>2</sub>	A	B	0 ... 600 °C	900 ... 1 100 hPa	0 ... 1 vol%	0 ... 100 vol%	75 vol%*m	200 ppmv*m	2 %	N <sub>2</sub>
O <sub>2</sub>	A	C	0 ... 200 °C	700 ... 5 000 hPa	0 ... 1 vol%	0 ... 100 vol%	75 vol%*m	200 ppmv*m	2 %	N <sub>2</sub>

Reference table: Standard applications. The specified pressures are absolute.

DL = detection limit

<sup>1)</sup> At 20 °C, 1 013 hPa, without dust

<sup>2)</sup> With 0.3 m effective optical path length  
Average diameter of the dust particles: 15 µm  
Specific weight of the dust particles: 650 kg/m<sup>3</sup>

The influence of dust load is extremely complex, and depends on the path length and particle size. The optical attenuation increases exponentially at longer path lengths. Smaller particles also have a very large influence on the optical attenuation. With high dust load, long path length and small particle size, the technical support at Siemens should be consulted.

<sup>3)</sup> Referred to measuring range.

With stable or externally measured and software-compensated process gas temperature and pressure conditions.

### Special applications



In addition to the standard applications, special applications are available upon request. If the process conditions deviate from the specifications of the standard applications, special applications are also possible on request. Please complete the application questionnaire which can be found at [www.siemens.com/insituquestionnaire](http://www.siemens.com/insituquestionnaire) on the Internet.

### Technical specifications

#### Analytical performance

Measuring range	Internally adjustable
Detection limit at standardized conditions: 25 °C gas temperature, 1 000 hPa, 1 m effective optical path length, 3 s integration time and constant ambient conditions.	O <sub>2</sub> : 200 ppmv
Linearity (under standard conditions)	Better than 1 %
Repeatability (under standard conditions)	O <sub>2</sub> : 1 % of the measuring range

#### General information

Design	Transmitter and detector units, connected by a sensor cable
Materials	<ul style="list-style-type: none"> <li>• Sensor enclosure: treated aluminium/stainless steel (1.4305/303)</li> <li>• Process interface: acid-resistant stainless steel (1.4404/316L)</li> <li>• Window: hardened borosilicate glass</li> <li>• Compressible gaskets: FKM, FFKM, EPDM (holder for reference cell)</li> <li>• Flat gaskets: Graphite</li> </ul>
Parts wetted by the process gases	<ul style="list-style-type: none"> <li>• Purging tubes, flanges, window ring, process purging: acid-resistant stainless steel</li> <li>• Window: Borosilicate</li> <li>• Gasket in window: FFKM</li> <li>• Flat gasket between customer flange and process flange: Graphite</li> </ul>
Installation	In-situ or bypass
Concentration units	ppm, vol. %, mg/Nm <sup>3</sup>
Display	Digital concentration display (4 digits with floating decimal point)
Laser protection class	Class 1, safe to the eye
Explosion protection	Optionally, according to <ul style="list-style-type: none"> <li>• ATEX II 2G Ex de op is IIC T6 ATEX II 2D Ex tD A21 IP65 T85 °C</li> <li>• FM Class I, II, III Div 1 Groups A, B, C, D, E, F, G T6 FM Class I, Zn 1, AEx d IIC T6 FM Class II, Zn 21, AEx td T85 °C</li> <li>• XP Class I, II, III Div 1 Groups C, D T6 Ta = 55 °C; DIP Class II, III Div 1 Groups E, F, G T6 Ta = 55 °C; Class I, Zn 1, Ex d IIC T6 Ta = 55 °C; Zn 21, Ex td T85 °C Ta = 55 °C</li> </ul>

#### Design, enclosure

Degree of protection	IP65 according to EN 60529
Dimensions	For each unit (transmitter, detector) <ul style="list-style-type: none"> <li>• Diameter: 165 mm</li> <li>• Length: 357 mm</li> </ul>
Purging tube	Length, outer diameter, inner diameter: 340, 48, 44 mm
Weights	<ul style="list-style-type: none"> <li>• Detector unit: 6.0 kg</li> <li>• Transmitter unit: 5.2 kg</li> <li>• Process interface:               <ul style="list-style-type: none"> <li>- for DN 50/PN 25: 5.3 kg</li> <li>- for ANSI4"/150 lbs: Approx. 12 kg</li> </ul> </li> </ul>
Connection dimension customer flange	DN 50/PN 25, DN 50/PN 40 or ANSI 4"/150 lbs

#### Electrical characteristics

Power supply	24 V DC nominal (18 ... 30.2 V DC)
Power consumption, maximum	10 VA
EMC	In accordance with EN 61326-1
Electrical safety	In accordance with EN 61010-1
Fuse specifications	T1.6L250V

#### Dynamic performance

Warm-up time at 20 °C ambient temperature	Approx. 15 min
Response time (T90)	Approx. 2 s, depends on application
Integration time	0 ... 100 s, selectable

#### Influencing variables

Variations in ambient temperature	< 0.5 %/10 K of the measuring range
Process gas temperature	With compensation: < 1 %/100 K of the measuring range
Variations in atmospheric pressure	Negligible
Process gas pressure	O <sub>2</sub> : With compensation: < 1 %/4 000 hPa of the measuring range
Variations in supply voltage	Negligible

## Continuous Gas Analyzers, in-situ

### SITRANS SL

#### In-situ O<sub>2</sub> gas analyzer

##### Electrical inputs and outputs

Number of measurement channels	1
Analog outputs	2 outputs, 4 ... 20 mA, floating, ohmic resistance max. 660 Ω. External isolating power supplies may have to be provided by the customer.
Analog inputs	2 inputs, designed for 4 ... 20 mA, 120 Ω
Digital outputs	2 outputs, with switchover contacts, configurable, 24 V/0.5 A, floating, single pole double throw (SPDT)
Digital input	1 input, designed for 24 V, floating, configurable
Service port	Ethernet 10BaseT (RJ-45)
RS 485 PROFIBUS DPV0 version	Two-wire interface, up to 3 Mbit/s, -7 ... 12 V
RS 485 Modbus version	Two-wire interface, up to 115 200 bit/s, -7 ... 12 V

##### Cable to customer interface (not included in standard delivery, permanently installed for ATEX, optionally available for Standard)

Analog connection cable (with ATEX configuration: only supplied cables may be used!)	10 x 2, with shielding in twisted-pair configuration (depending on type and number of I/Os used)
PROFIBUS DP connection cable (with ATEX configuration: only supplied cables may be used!)	1 x 2 + 4 (PROFIBUS DP hybrid cable)
Modbus connection cable (with ATEX configuration: only supplied cables may be used!)	1 x 2 + 3, with shielding in twisted-pair configuration
Cable length for ATEX configuration	3 m
Conductor cross-section	Min. 0.34 mm <sup>2</sup>
Cable diameter	8 ... 12 mm or 13 ... 18 mm
Minimum bending radius ATEX-PROFIBUS	110 mm

##### Sensor cable (not included in standard delivery, permanently installed for ATEX, optionally available for Standard)

Sensor cable type configuration	4 x 2, with shielding, in twisted-pair configuration
Conductor cross-section	Min. 0.34 mm <sup>2</sup>
Cable sheath	PUR (polyurethane)
Dimensions	<ul style="list-style-type: none"> <li>• Diameter: 11 mm</li> <li>• Length: up to 25 m</li> </ul>
Minimum bending radius	ATEX: 85 mm

##### Climatic conditions

Ambient temperature range	<ul style="list-style-type: none"> <li>• -20 ... +55 °C during operation (additional solar radiation not permissible!)</li> <li>• -40 ... +70 °C during transport and storage</li> </ul>
Temperature range on the sensor side of the process interface (connection plate)	-20 ... +70 °C
Atmospheric pressure	800 ... 1100 hPa (for ATEX and FM version)
Humidity	< 100 % rel. humidity

##### Measuring conditions

Measurement path	0.3 ... 8 m (other lengths: please contact Siemens)
Process gas pressure, temperature	<ul style="list-style-type: none"> <li>• O<sub>2</sub>: 900 ... 1 100 hPa, 0 ... 600 °C</li> <li>• O<sub>2</sub>: 700 ... 5 000 hPa, 0 ... 200 °C</li> </ul>
Dust load	The influence of a high dust load is complex, and depends on the optical path length and particle size distribution.

##### Purging

Purging gas	Nitrogen (for O <sub>2</sub> applications)
<ul style="list-style-type: none"> <li>• Quality</li> </ul>	O <sub>2</sub> application: Purity better than 99.7 % in order to achieve full performance. For oxygen measurements, an O <sub>2</sub> content < 0.01 vol. % in the purging gas is recommended.
<ul style="list-style-type: none"> <li>• Dew point</li> </ul>	< -10 °C, condensation on the optics must be avoided
Sensor purging	
<ul style="list-style-type: none"> <li>• Max. overpressure in the sensor</li> </ul>	500 hPa
<ul style="list-style-type: none"> <li>• Purging gas temperature on sensor side</li> </ul>	0 ... +55 °C
<ul style="list-style-type: none"> <li>• Flow</li> </ul>	O <sub>2</sub> application: When commissioning a sensor enclosure previously filled with air: 3 ... 5 l/min (for at least 15 min), subsequently: at least 0.25 l/min
Purging on the process side (optional)	
<ul style="list-style-type: none"> <li>• Pressure at purging gas inlet</li> </ul>	2 000 ... 8 000 hPa
<ul style="list-style-type: none"> <li>• Flow</li> </ul>	Dependent on process gas pressure, process gas velocity, dust load, moisture, etc. up to max. 50 l/min



### Accessories

#### SITRANS SL sensor alignment kit

The SITRANS SL sensor alignment kit includes a battery-operated lamp, a centering aid with crosshair, and two hook spanners for loosening the sensors from the flange connection plates.

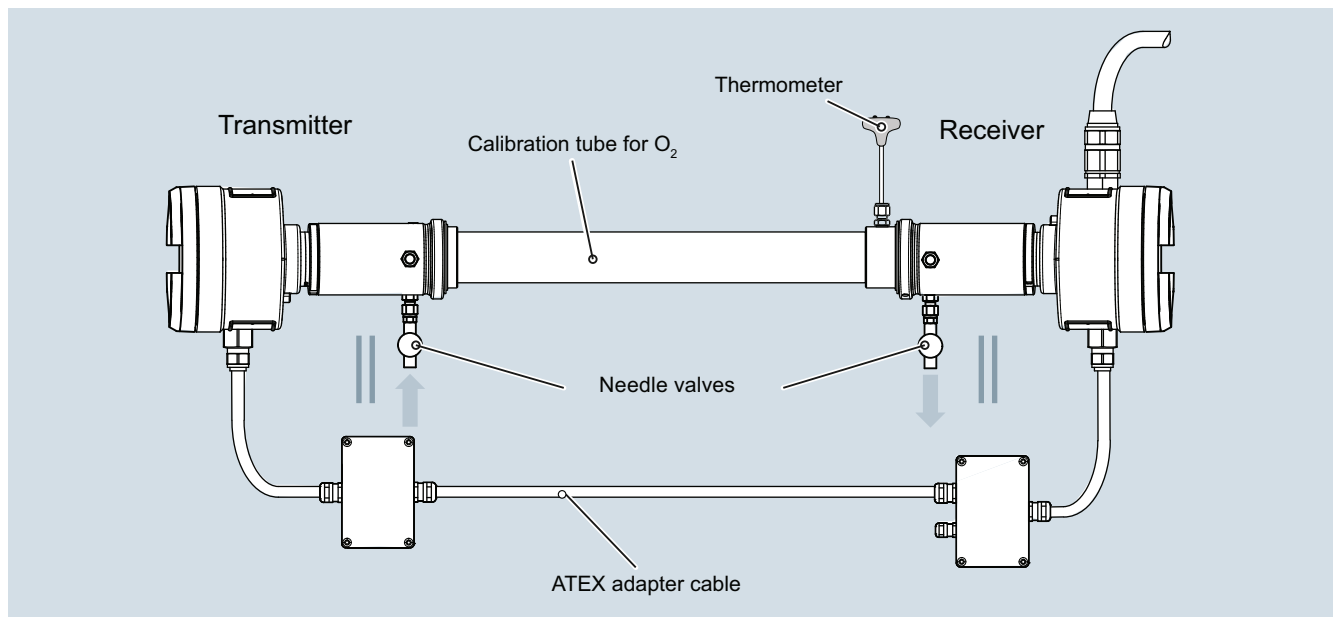
#### Please note:

The SITRANS SL sensor alignment kit is not explosion-protected! Therefore it must never be used in a hazardous area without approval by the plant operator!

#### Calibration test kit

The SITRANS SL has already been factory-calibrated. If it is desirable or necessary to check the calibration, this can be performed using an external calibration test kit following removal of the transmitter and detector units. This procedure has no influence on the optical adjustment of the unit since the flange connection plates remain mounted on the customer flange. The calibration test kit for O<sub>2</sub> consists of a stainless steel calibration tube and a thermometer. To carry out the calibration, it is mounted between the transmitter and receiver. The calibration tube for O<sub>2</sub> can then be filled with air or a calibration gas.

2



Calibration validation setup of SITRANS SL O<sub>2</sub>

# Continuous Gas Analyzers, in-situ SITRANS SL

## In-situ O2 gas analyzer

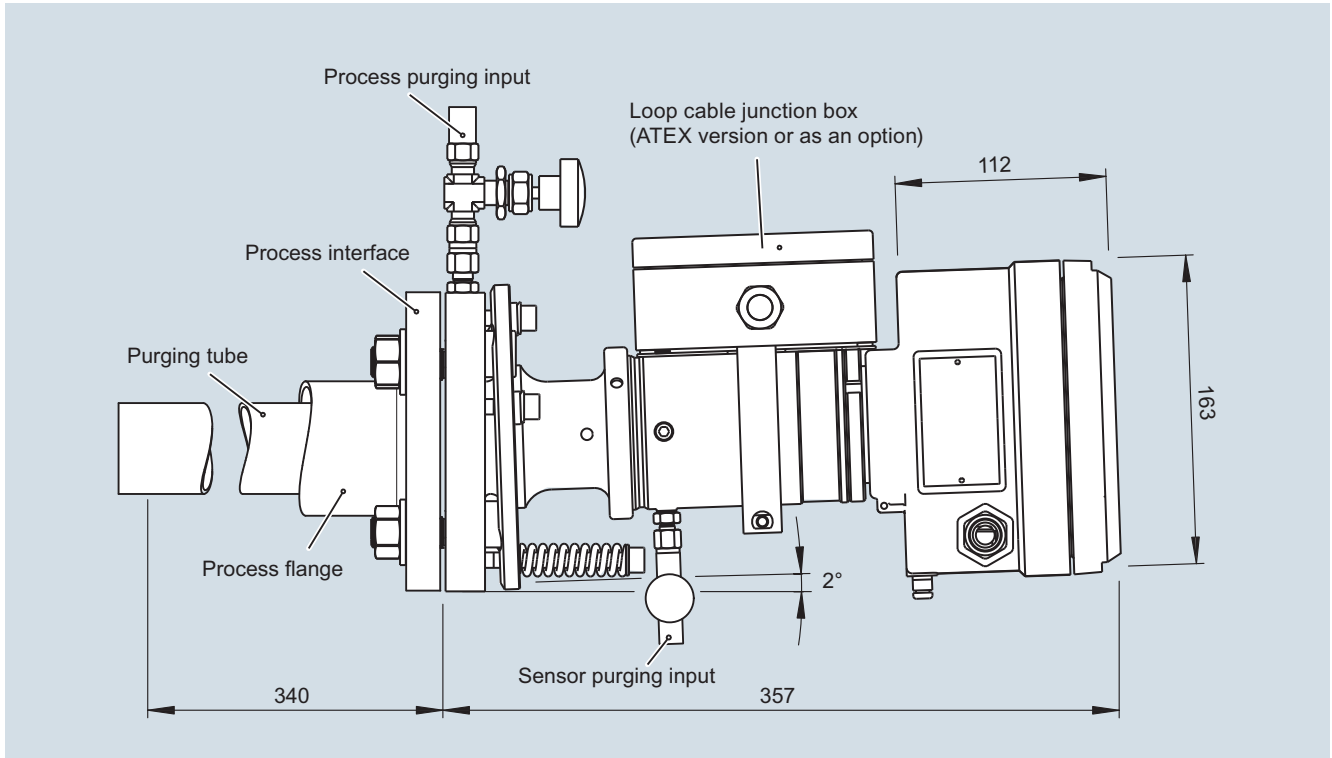
### Dimensional drawings

**Note**

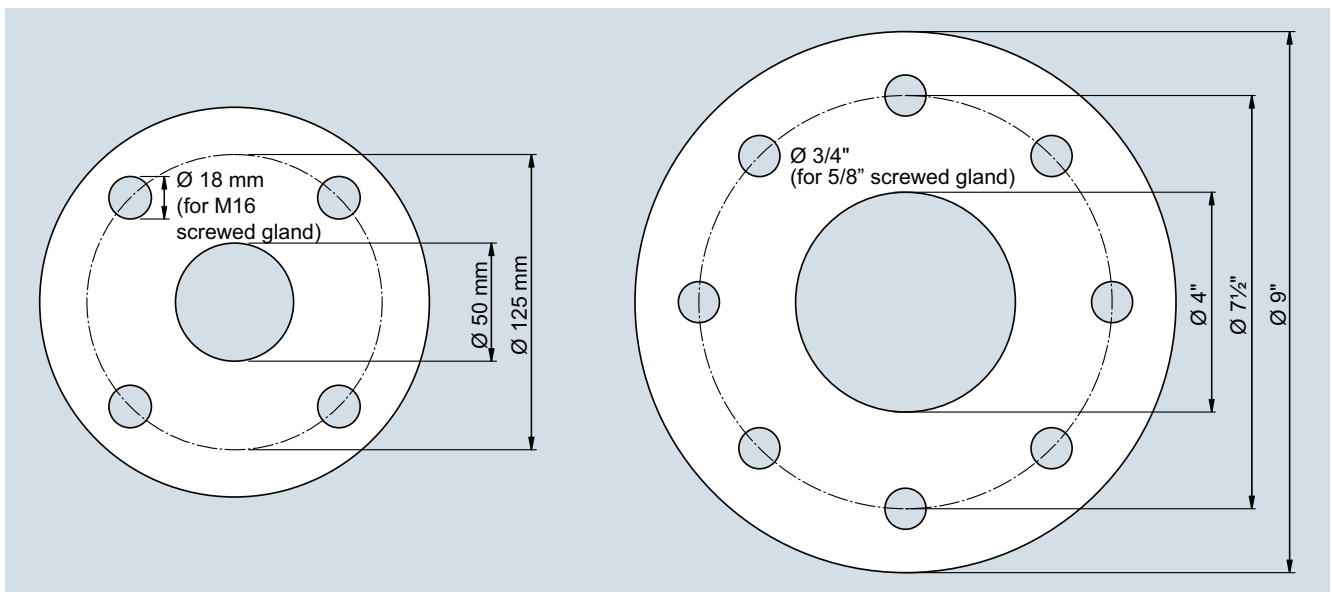
the SITRANS SL sensors must be accessible from the side.  
A space of at least 60 cm must be provided next to the SITRANS SL transmitter and detector units in order to facilitate maintenance and servicing.

To fulfill the safety requirements, a clearance of at least 10 cm must be provided around the SITRANS SL to maintain cooling.

2



SITRANS SL, transmitter/detector unit (same housing for DN 50/PN 25 process interface version), dimensions in mm



Connection dimensions of process flanges provided by customer DN 50/PN 25 and ANSI 4"/150 lbs

### Schematics

#### Electrical connections

Non-EEEx version: connection cable - customer interface

Terminal block in the receiver enclosure		Function/voltage	Ethernet cable
1	+	Power supply 19 ... 30,2 V, 10 VA <sup>1)</sup>	
2	-		
3	Normally closed under power <sup>4)</sup>	Binary output 0 (relay) 30 V, 0,5 A <sup>3)</sup>	
4			
5	Normally closed under power <sup>4)</sup>	Binary output 1 (relay) 30 V, 0,5 A <sup>3)</sup>	
6			
7	+	Binary input 0 0 ... 30 V <sup>2)</sup>	
8	-		
9	+	Analog output 0 (measurement) 30 V, 24 mA <sup>3)</sup>	
10	-		
11	+	Analog output 1 (measurement) 30 V, 24 mA <sup>3)</sup>	
12	-		
13	PROFIBUS A line (Rx/D/TxD_N - data inverted)	Modbus D1 (Rx/D/TxD_N - data inverted)	RS 485 (PROFIBUS/Modbus) -7 ... +12 V DC
14	PROFIBUS B line (Rx/D/TxD_P - data not inverted)	Modbus D0 (Rx/D/TxD_P - data not inverted)	
15	PROFIBUS/Modbus shield		
16	T <sub>x</sub> +	Ethernet <sup>5)</sup>	White/orange
17	T <sub>x</sub> -		Orange
18	R <sub>x</sub> +		White/green
19	R <sub>x</sub> -		Green
20	+	Analog input 0 (temperature) 0 ... 30 mA <sup>2)</sup> , 120 Ω	
21	-		
22	+	Analog input 1 (pressure) 0 ... 30 mA <sup>2)</sup> , 120 Ω	
23	-		
24		Grounding	
25		Grounding	
Ground		Grounding	
Ground		Grounding	Shielding

<sup>1)</sup> This is the maximum power consumption of the SITRANS SL

<sup>2)</sup> These are the maximum input values

<sup>3)</sup> These are the maximum output values

<sup>4)</sup> Note:

"Normal operation" stands for normal operation of the analyzer. The system is connected to the voltage source and is running without problems; no error message generated or displayed.

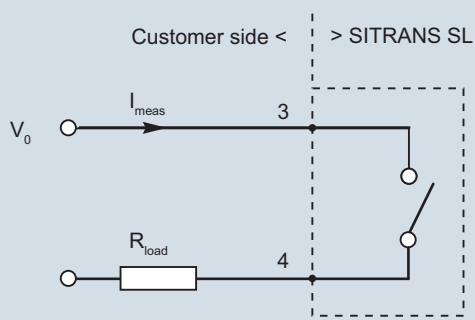
"Normal under power" refers to the status of the relay under the above-named normal operation. The relay contact of the alarm signal is closed.

<sup>5)</sup> We recommend that the Ethernet connection is not made via the cable to the Ethernet terminals in the detector unit. Instead, the Ethernet connection should be made via the sensor cable connection set which is optionally available for the detector unit.

# Continuous Gas Analyzers, in-situ SITRANS SL

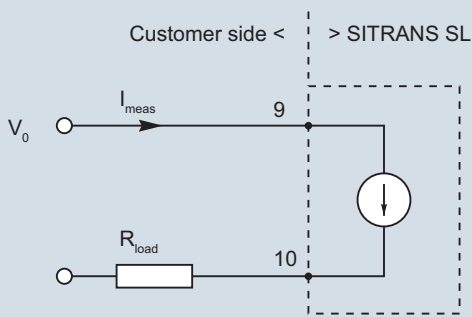
## In-situ O<sub>2</sub> gas analyzer

Examples of digital output and analog output



$V_0$  can be up to 30 V  
 $R_{load}$  must be at least 60  $\Omega$   
 (max. 0.5 mA in relay)

Example of digital output 0



$V_0$  must be min 7.5 and max 30 V  
 $R_{load}$  can be maximum  $\frac{V_0 - 7.5}{0.025} \Omega$

Example of analog output 0

Caution:

Please note that an external isolating power supply may be required!

Sensor cable terminal box on the receiver side (ATEX version)

Terminal strip in terminal box	Function	Color code
1 +	24 V DC voltage supply for transmitter unit	Red
2 -		Blue
3 Com +	Communication with transmitter	Pink
4 Com -		Gray
5 Sync +	Synchronization with transmitter	White
6 Sync -		Brown
7 NC	Not used	-
8 Tx+	Ethernet	Gray/pink
9 Tx-		Red/blue
10 Rx+		Black
11 Rx-		Violet
PE terminal	Grounding	Green
PE terminal	Grounding	Yellow
Gland	Grounding	Shielding

# Continuous Gas Analyzers, in-situ SITRANS SL

## In-situ O2 and CO gas analyzer

2

Selection and ordering data		Article No.	
<b>SITRANS SL in-situ gas analyzer</b>		7MB6221- - - - - Cannot be combined	
<a href="#">Click on the Article No. for the online configuration in the PIA Life Cycle Portal.</a>			
<b>Explosion protection<sup>1)</sup></b>			
Without		0	
Ex II 2 G Ex de op is IIC T6		1	
Ex II 2 D Ex tD A21 IP65 T85°C		2	
FM USA:			
XP Class I, II, III Div 1 Groups A, B, C, D T6 Ta = 55°C			
DIP Class II,III DIV 1 Group EFG Ta = 55°C			
Class I, Zn 1, AEx d IIC T6 Ta = 55°C			
Zn 21, AEx tD T85°C Ta = 55°C			
FM Canada:			
XP Class I, II, III Div 1 Groups C, D T6 Ta = 55°C			
DIP Class II,III DIV 1 Group EFG			
Class I, Zn 1, Ex d IIC T6 Ta =55°C			
Class II, III Zn 21, Ex t IIIC T85°C Ta = 55°C			
<b>Measured component</b>			
O <sub>2</sub>		A	
<b>Application examples<sup>2)</sup></b>			
Control of combustion processes		B	
Process control, safety monitoring in appropriate plant concepts		C	
<b>Communication interface</b>			
Analog		0	
PROFIBUS DP		1	
Modbus		2	
<b>Purging tubes, material</b>	<b>Length</b>		
No purging tubes		0	
Stainless steel	340 mm	1	
<b>Purging mode, process side</b>	<b>Sensor side</b>		
No purging	No purging	0	
No purging	3 ... 5 l/min	1	
0 ... 50 l/min	No purging	2	
0 ... 50 l/min	3 ... 5 l/min	3	
<b>Process interface<sup>3)</sup></b>			
Connection dimension ANSI 4" 150 lbs (EN 1.4404/316L), MAWP (PS) @ 20 °C: 232 psi		B	
Connection dimension DN 50/PN 25 (EN 1.4404/316L), MAWP (PS) @ 20°C: 2.5 MPa		C	
Connection dimension DN 50/PN 40 (EN 1.4404/316L), MAWP (PS) @ 20°C: 4.0 MPa		E	
<b>Sensor cable</b>			
5 m	with brass cable gland	A	
10 m	with brass cable gland	B	
25 m	with brass cable gland	C	
5 m	with stainless steel cable gland	D	
10 m	with stainless steel cable gland	E	
25 m	with stainless steel cable gland	F	
Without cable		X	
<b>Documentation language</b>			
German		0	
English		1	
French		2	
Spanish		3	
Italian		4	

<sup>1)</sup> Complete and consistent implementation of the safety concept by the plant operator must be ensured during the commissioning and operation of the in-situ laser spectrometer SITRANS SL in hazardous atmospheres.  
<sup>2)</sup> The examples shown represent possible applications where appropriately configured SITRANS SL solutions can be used. The user is responsible for the prevailing conditions (plant concept (possibly redundant), application of appropriate components required in addition, compliance with possible directives, etc.).  
<sup>3)</sup> MAWP: Maximum Allowable Working Pressure.

## Continuous Gas Analyzers, in-situ

### SITRANS SL

#### In-situ O<sub>2</sub> and CO gas analyzer

##### Selection and ordering data

###### Additional versions

Add "-Z" to Article No. and specify Order code

Acceptance test certificate 3.1 (leak test) in accordance with EN 10204

Acceptance test certificate 3.1 (material certificate) in accordance with EN 10204

SIL 1 conformity declaration in accordance with standards IEC 61508/IEC 61511 (for the measured component oxygen in combination with analog interfaces)

TAG label, customized inscription

<sup>1)</sup> Together with explosion protection as per FM, on request

###### Order code

C12 <sup>1)</sup>

C13 <sup>1)</sup>

C20 <sup>1)</sup>

Y30

##### Selection and ordering data

###### Additional units

Calibration verification kit O<sub>2</sub>, SITRANS SL

SITRANS SL sensor alignment kit

Ex-e junction box for 25-wire cable

Cable set analog (for non-Ex SITRANS SL)

Cable set PROFIBUS DP (for non-Ex SITRANS SL)

UV protective hose for outdoor use, ND = 48 mm, per 30 m

Sensor connecting cable set

- 25 m
- 10 m
- 5 m

###### Spare parts

Process interface DN 50 PN 10 ... 40 incl. gasket

Gasket DN 50/PN 10 ... 40

Process interface ANSI 4" Class 150 incl. gasket

Gasket ANSI 4" Class 150

Purging tube 340 mm incl. gasket for DN 50/PN 10 ... 40

Window lid for receiver housing

Lid for transmitter housing

Cable, analog, brass, EX

Cable, analog, VA, EX

Cable, PROFIBUS, brass, EX

Cable, PROFIBUS, VA, EX

Cable, transmitter, VA, EX

Junction box, transmitter, VA, EX

Junction box, transmitter, brass, EX

Cabeling, transmitter, brass, EX

Interconnection cable 5 m

Interconnection cable 10 m

Interconnection cable 25 m

Cable, receiver, VA, EX

Junction box, receiver, VA, EX

Cabeling, receiver, brass, EX

Cable gland kit, non-EX

Clamp ring

Light source with adapter

LUI

Remote control IS, CSA, FM, ATEX

Needle valve kit

Capillary kit

###### Article No.

A5E01000694

A5E01000740

A5E01267567

A5E03328474

A5E03328473

A5E01714061

A5E02528052

A5E02528048

A5E02509347

A5E01009881

A5E02522036

A5E01009883

A5E02789535

A5E01009892

A5E01009897

A5E02568437

A5E02608597

A5E34834297

A5E02608594

A5E34834296

A5E34830928

A5E34831075

A5E02091532

A5E02568463

A5E02571180

A5E02571184

A5E02571186

A5E34831050

A5E34831078

A5E02568465

A5E02568457

A5E01010033

A5E33259745

A5E31503119

A5E02091214

A5E02569944

A5E02183375

###### Item number (see figure on the next page)

3+4+5

3+4+5

3+4+5

6

6

6

6

2

1

1

1+2

5

5

5

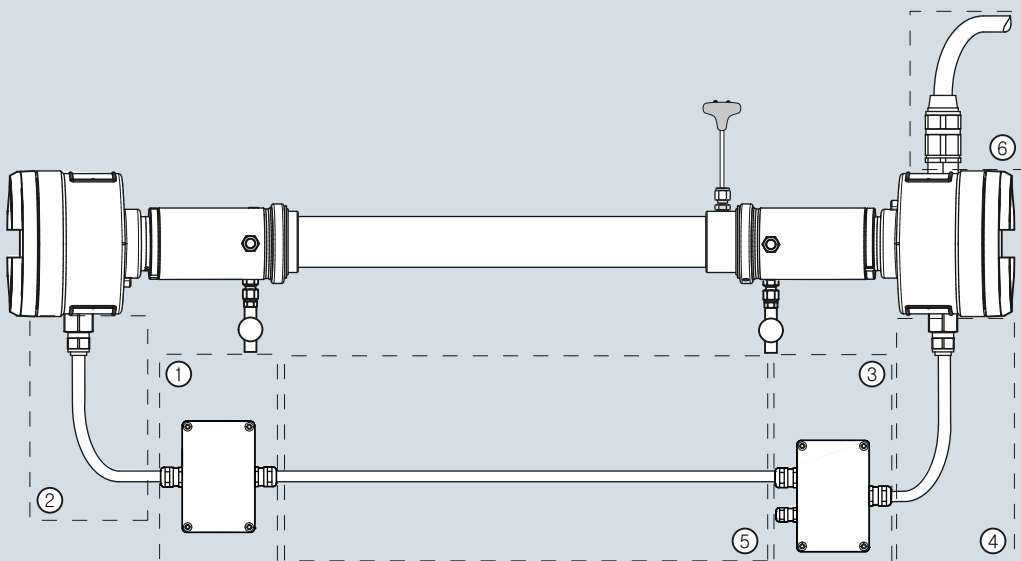
4

3

3+4

### Selection and ordering data

Manual	Article No.
SITRANS SL manual	
• German	A5E01132949
• English	A5E01132948
• French	A5E01132951
• Italian	A5E01132952
• Spanish	A5E01132953



SITRANS SL spare parts, item numbers